



# Operator's Manual

Serial Number Range

**GS-1530/32**

from GS3010A-110000  
from GS3011C-10000

**GS-1930/32**

from GS3010A-110000  
from GS3011C-10000

**GS-2032**

from GS3211A-110000  
from GS3212C-10000

**GS-2632**

from GS3211A-110000  
from GS3212C-10000

**GS-3232**

from GS3211A-110000  
from GS3212C-10000

**GS-2046**

from GS4611A-110000  
from GS4612C-10000

**GS-2646**

from GS4611A-110000  
from GS4612C-10000

**GS-3246**

from GS4611A-110000  
from GS4612C-10000

**GS-4047**

from GS4712C-101

CE

with  
Maintenance  
Information

Seventh Edition  
Third Printing  
Part No. T107027



---

## Important

Read, understand and obey these safety rules and operating instructions before operating this machine. Only trained and authorized personnel shall be permitted to operate this machine. This manual should be considered a permanent part of your machine and should remain with the machine at all times. If you have any questions, contact us.

---

## Contact Us:

Internet: [www.genielift.com](http://www.genielift.com)

E-mail: [awp.techpub@terex.com](mailto:awp.techpub@terex.com)

---

Copyright © 2011 Terex Corporation

Seventh Edition: Third Printing, February 2012

Genie is a registered trademark of Terex South Dakota, Inc. in the U.S.A. and many other countries. "GS" is a trademark of Terex South Dakota, Inc.

**CE** Complies with EC Directive 2006/42/EC  
See EC Declaration of Conformity

---

## Contents

|  |    |
|--|----|
| Introduction .....                             | 1  |
| Symbol and Hazard Pictorials Definitions ..... | 3  |
| General Safety .....                           | 5  |
| Personal Safety .....                          | 7  |
| Work Area Safety .....                         | 8  |
| Legend .....                                   | 16 |
| Controls .....                                 | 19 |
| Inspections .....                              | 25 |
| Operating Instructions .....                   | 42 |
| Transport and Lifting Instructions.....        | 51 |
| Maintenance.....                               | 56 |
| Specifications .....                           | 58 |

## Introduction

### Owners, Users and Operators:

Thank you for choosing our machine for your application. Our number one priority is user safety, which is best achieved by our joint efforts. We feel that you make a major contribution to safety if you, as the equipment users and operators:

- 1 **Comply** with employer, job site and governmental rules.
- 2 **Read, understand and follow** the instructions in this and other manuals supplied with this machine.
- 3 **Use good safe work practices** in a commonsense way.
- 4 **Only have trained/certified operators**, directed by informed and knowledgeable supervision, running the machine.




---

### Danger

Failure to obey the instructions and safety rules in this manual will result in death or serious injury.

---

### Do Not Operate Unless:

- You learn and practice the principles of safe machine operation contained in this operator's manual.
  - 1 **Avoid hazardous situations.**
  - Know and understand the safety rules before going on to the next section.**
  - 2 Always perform a pre-operation inspection.
  - 3 Always perform function tests prior to use.
  - 4 Inspect the workplace.
  - 5 Only use the machine as it was intended.
- You read, understand and obey the manufacturer's instructions and safety rules—safety and operator's manuals and machine decals.
- You read, understand and obey employer's safety rules and worksite regulations.
- You read, understand and obey all applicable governmental regulations.
- You are properly trained to safely operate the machine.



## Introduction

### Hazard Classification

Decals on this machine use symbols, color coding and signal words to identify the following:



Safety alert symbol—used to alert you to potential personal injury hazards. Obey all safety messages that follow this symbol to avoid possible injury or death.

#### **⚠ DANGER**

Indicates a hazardous situation which, if not avoided, will result in death or serious injury.

#### **⚠ WARNING**

Indicates a hazardous situation which, if not avoided, could result in death or serious injury.

#### **⚠ CAUTION**

Indicates a hazardous situation which, if not avoided, could result in minor or moderate injury.

#### **NOTICE**

Indicates a property damage message.

### Intended Use

This machine is intended to be used only to lift personnel, along with their tools and materials to an aerial work site.

### Safety Sign Maintenance

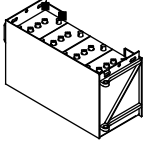


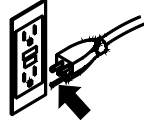
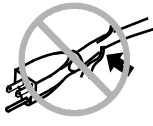

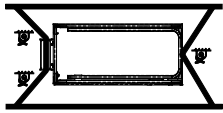



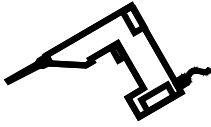
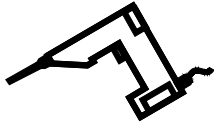

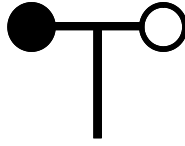

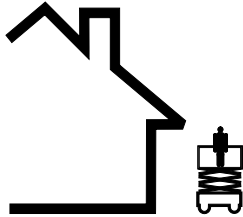
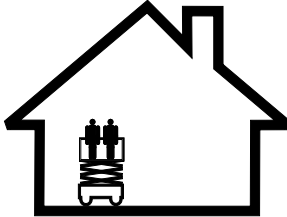
Replace any missing or damaged safety signs. Keep operator safety in mind at all times. Use mild soap and water to clean safety signs. Do not use solvent-based cleaners because they may damage the safety sign material.

## Symbol and Hazard Pictorials Definitions

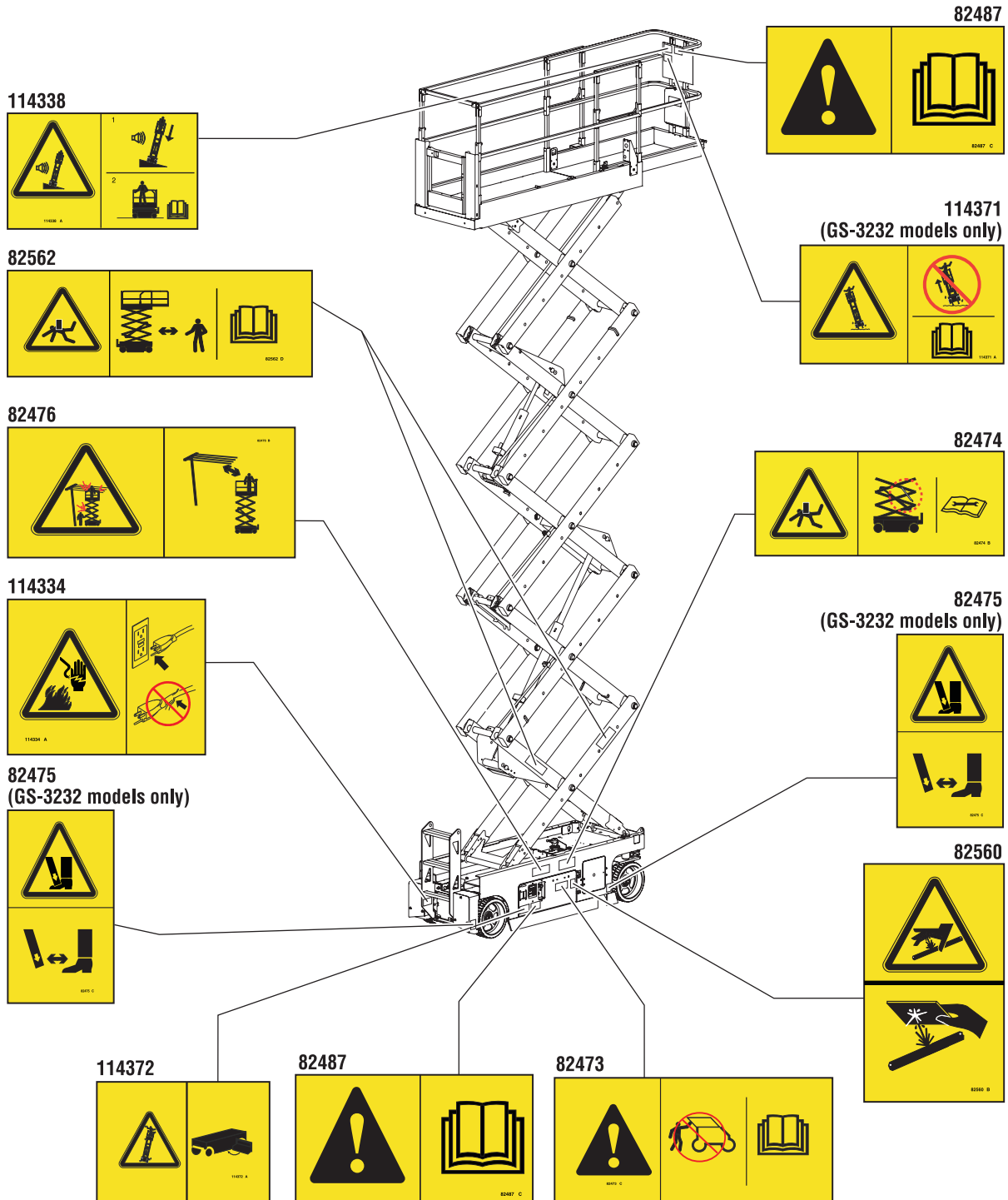
|                            |  |                                    |   |   |
|----------------------------|--|------------------------------------|---|---|
|                            |  |                                    |   |   |
| Read the operator's manual | Read the service manual                                  | Crush hazard                       | Crush hazard  | Collision hazard                                      |
|                            |  |                                    |   |   |
| Tip-over hazard            | Tip-over hazard  | Tip-over hazard                    | Tip-over hazard   | Electrocution hazard                                  |
|                            |  |                                    |   |   |
| Electrocution hazard       | Explosion hazard   | Fire hazard                        | Burn hazard   | Skin injection hazard                                 |
|                            |  |                                    |   |   |
| Engage safety arm          | Keep away from moving parts                              | Keep clear of outriggers and tires | Move machine to level ground                                  | Close chasis tray                                     |
|                            |  |                                    |   |   |
| Lower the platform         | Do not set up where it cannot be leveled with outriggers | Maintain required clearance        | Only trained maintenance personnel should access compartments | Use a piece of cardboard or paper to search for leaks |



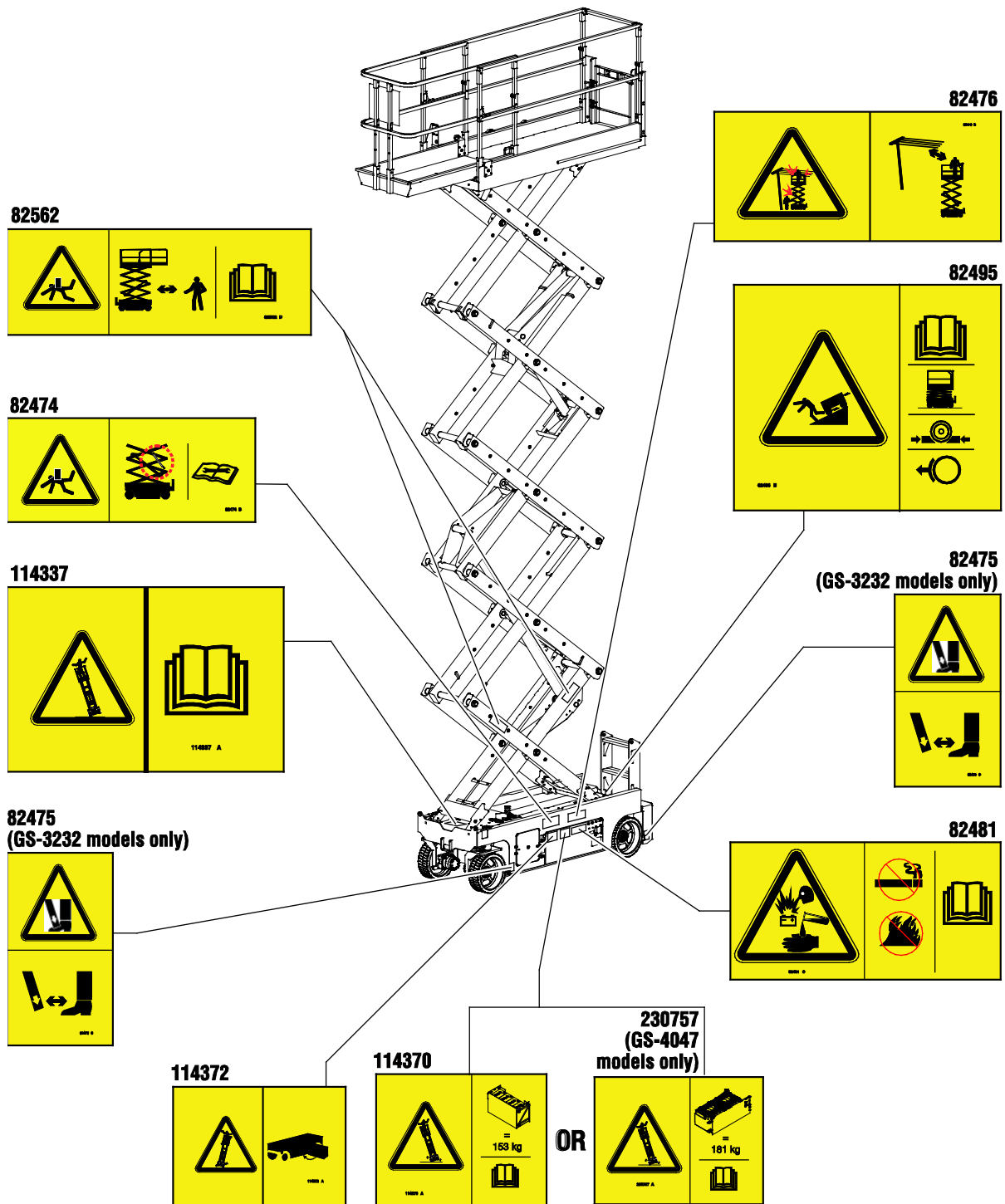
## Symbol and Hazard Pictorials Definitions

|   |   |   |  |  |
|---|---|---|--|--|
| <br>Batteries used as counterweights       | <br>Chock the wheels                           | <br>Release brakes | <br>Grounded AC 3-wire only  | <br>Replace damaged wires and cords |
| <br>Wheel load                             | <br>Transport diagram                          | <br>Tiedown        | <br>Lanyard attachment point | <br>No smoking                      |
| <br>Voltage rating for power to platform | <br>Pressure rating for air line to platform | <br>Manual force | <br>Wind speed            |  |
| <br>Maximum capacity                     | <br>Outdoor                                  |   | <br>Indoor                 |  |

# General Safety



# General Safety







---

## Personal Safety

### Personal Fall Protection

Personal fall protection equipment (PFPE) is not required when operating this machine. If PFPE is required by job site or employer rules, the following shall apply:

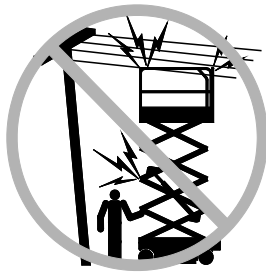
All PFPE must comply with applicable governmental regulations and must be inspected and used in accordance with the manufacturer's instructions.



## Work Area Safety

### ⚠ Electrocuting Hazards

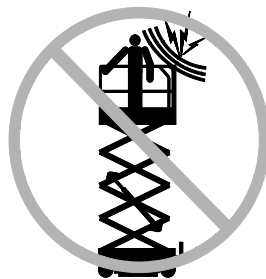
This machine is not electrically insulated and will not provide protection from contact with or proximity to electrical current.



Obey all local and governmental regulations regarding required clearance from electrical power lines. At a minimum, the required clearance contained in the chart below must be followed.

| Line Voltage  | Required Clearance |
|---------------|--------------------|
| 0 to 50KV     | 3.05 m             |
| 50 to 200KV   | 4.60 m             |
| 200 to 350KV  | 6.10 m             |
| 350 to 500KV  | 7.62 m             |
| 500 to 750KV  | 10.67 m            |
| 750 to 1000KV | 13.72 m            |

Allow for platform movement, electrical line sway or sag, and beware of strong or gusty winds.



Keep away from the machine if it contacts energized power lines. Personnel on the ground or in the platform must not touch or operate the machine until energized power lines are shut off.

Do not operate the machine during lightning or storms.

Do not use the machine as a ground for welding.

### ⚠ Tip-over Hazards

Occupants, equipment and materials shall not exceed the maximum platform capacity or the maximum platform capacity of the platform extension.

#### Maximum capacity

|                     |        |
|---------------------|--------|
| GS-1530 and GS-1532 | 272 kg |
| GS-1930 and GS-1932 | 227 kg |
| GS-2032             | 363 kg |
| GS-2632             | 227 kg |
| GS-3232             | 227 kg |
| GS-2046             | 544 kg |
| GS-2646             | 454 kg |
| GS-3246             | 318 kg |
| GS-4047             | 350 kg |

## Work Area Safety



Do not raise the platform unless the machine is on a firm, level surface.



Do not operate the machine in strong or gusty winds. Do not increase the surface area of the platform or the load. Increasing the area exposed to the wind will decrease machine stability.



Do not depend on the tilt alarm as a level indicator. The tilt alarm sounds on the chassis only when the machine is on a severe slope.

If the tilt alarm sounds:

Lower the platform. Move the machine to a firm, level surface. If the tilt alarm sounds when the platform is raised, use extreme caution to lower the platform.

Do not drive over 0.8 km/h with the platform raised.

**Outdoor Use:** Do not raise the platform when wind speeds may exceed 12.5 m/s. If wind speeds exceed 12.5 m/s when the platform is raised, lower the platform and do not continue to operate the machine.

**Indoor Use:** When raising the platform, follow ratings for allowable side force and number of occupants on the next page.



Use extreme care and slow speeds while driving the machine in the stowed position across uneven terrain, debris, unstable or slippery surfaces and near holes and drop-offs.

Do not drive the machine on or near uneven terrain, unstable surfaces or other hazardous conditions with the platform raised.

Do not use the machine as a crane.

Do not push the machine or other objects with the platform.

Do not contact adjacent structures with the platform.

Do not tie the platform to adjacent structures.

Do not place loads outside the platform perimeter.

Do not operate the machine with the chassis trays open.

## Work Area Safety



Do not push off or pull toward any object outside of the platform.

Do not alter or disable the limit switches.

Do not alter or disable machine components that in any way affect safety and stability.

Do not replace items critical to machine stability with items of different weight or specification.

Do not use batteries that weigh less than the original equipment. Batteries are used as counterweight and are critical to machine stability. Each battery must weigh 29.5 kg. Battery tray including batteries must weigh a minimum of 152 kg.

For GS-4047 machines, each battery must weigh 37 kg. Battery tray including batteries must weigh a minimum of 181 kg.

Do not modify or alter an aerial work platform without prior written permission from the manufacturer. Mounting attachments for holding tools or other materials onto the platform, toeboards or guard rail system can increase the weight in the platform and the surface area of the platform or the load.

### Maximum allowable manual force

| Model   | Manual Force   | Maximum occupants         |
|---------|----------------|---------------------------|
| GS-1530 | 400 N          | Indoor use only – 2       |
| GS-1532 | 400 N<br>200 N | Indoor – 2<br>Outdoor – 1 |
| GS-1930 | 400 N          | Indoor use only – 2       |
| GS-1932 | 400 N<br>200 N | Indoor – 2<br>Outdoor – 1 |
| GS-2032 | 400 N<br>200 N | Indoor – 2<br>Outdoor – 1 |
| GS-2632 | 400 N          | Indoor use only – 2       |
| GS-3232 | 400 N          | Indoor use only – 2       |
| GS-2046 | 400 N          | Indoor / Outdoor – 2      |
| GS-2646 | 400 N          | Indoor / Outdoor – 2      |
| GS-3246 | 400 N<br>200 N | Indoor – 2<br>Outdoor – 1 |
| GS-4047 | 400 N          | Indoor use only – 3       |

## Work Area Safety



Do not place or attach fixed or overhanging loads to any part of this machine.



Do not place ladders or scaffolds in the platform or against any part of this machine.

Do not transport tools and materials unless they are evenly distributed and can be safely handled by person(s) in the platform.

Do not use the machine on a moving or mobile surface or vehicle.

Be sure all tires are in good condition, castle nuts are properly tightened and cotter pins are properly installed.

### If equipped with outriggers

Do not set the machine up where it cannot be leveled using only the outriggers.

Do not adjust the outriggers while the platform is raised.

Do not drive while the outriggers are lowered.

### ▲ Crushing Hazard

Keep hands and limbs out of scissors.

Keep hands clear when folding rails.

Do not work under the platform or in the scissor links without the safety arm in place.

Use common sense and planning when operating the machine with the controller from the ground. Maintain safe distances between the operator, the machine and fixed objects.



## Work Area Safety

### ⚠ Operation on Slopes Hazards

Do not drive the machine on a slope that exceeds the slope and side slope rating of the machine. Slope rating applies to machines in the stowed position.

| Model   | Maximum slope rating, stowed position | Maximum side slope rating, stowed position |
|---------|---------------------------------------|--|
| GS-1530 | 30% (17°)                             | 30% (17°)                                  |
| GS-1532 | 30% (17°)                             | 30% (17°)                                  |
| GS-1930 | 25% (14°)                             | 25% (14°)                                  |
| GS-1932 | 25% (14°)                             | 25% (14°)                                  |
| GS-2032 | 30% (17°)                             | 30% (17°)                                  |
| GS-2632 | 25% (14°)                             | 25% (14°)                                  |
| GS-3232 | 25% (14°)                             | 25% (14°)                                  |
| GS-2046 | 30% (17°)                             | 30% (17°)                                  |
| GS-2646 | 30% (17°)                             | 30% (17°)                                  |
| GS-3246 | 25% (14°)                             | 25% (14°)                                  |
| GS-4047 | 25% (14°)                             | 25% (14°)                                  |

Note: Slope rating is subject to ground conditions and adequate traction.

### ⚠ Fall Hazards

The guard rail system provides fall protection. If occupant(s) of the platform are required to wear personal fall protection equipment (PFPE) due to job site or employer rules, PFPE and its use shall be in accordance with the PFPE manufacturer's instructions and applicable governmental requirements. Use approved lanyard attachment point provided.



Do not sit, stand or climb on the platform guard rails. Maintain a firm footing on the platform floor at all times.



Do not climb down from the platform when raised.

Keep the platform floor clear of debris.

Do not enter or exit the platform unless the machine is in the stowed position.

Attach the platform entry chain or close the entry gate before operating.

Do not operate the machine unless the guard rails are properly installed and the entry is secured for operation.

## Work Area Safety

### ⚠ Collision Hazards



Be aware of limited sight distance and blind spots when driving or operating.

Be aware of extended platform position when moving the machine.

The machine must be on a level surface or secured before releasing the brakes.

Operators must comply with employer, job site and governmental rules regarding use of personal protective equipment.



Do not lower the platform unless the area below is clear of personnel and obstructions.



Limit travel speed according to the condition of the ground surface, congestion, slope, location of personnel, and any other factors which may cause collision.



Check the work area for overhead obstructions or other possible hazards.

Do not operate a machine in the path of any crane or moving overhead machinery unless the controls of the crane have been locked out and/or precautions have been taken to prevent any potential collision.



Be aware of crushing hazards when grasping the platform guard rail.

No stunt driving or horseplay while operating a machine.



## Work Area Safety

### ⚠ Bodily Injury Hazard

Do not operate the machine with a hydraulic oil or air leak. An air leak or hydraulic leak can penetrate and/or burn skin.

Improper contact with components under any cover will cause serious injury. Only trained maintenance personnel should access compartments. Access by the operator is only advised when performing a pre-operation inspection. All compartments must remain closed and secured during operation.

### ⚠ Explosion and Fire Hazards

Do not operate the machine or charge the battery in hazardous locations or locations where potentially flammable or explosive gases or particles may be present.

### ⚠ Damaged Machine Hazards

Do not use a damaged or malfunctioning machine.

Conduct a thorough pre-operation inspection of the machine and test all functions before each work shift. Immediately tag and remove from service a damaged or malfunctioning machine.

Be sure all maintenance has been performed as specified in this manual and the appropriate Genie service manual.

Be sure all decals are in place and legible.

Be sure the operator's, safety and responsibilities manuals are complete, legible and in the storage container located on the platform.

### ⚠ Component Damage Hazards

Do not use any battery charger greater than 24V to charge the batteries.

Do not use the machine as a ground for welding.





## Work Area Safety

### ⚠ Battery Safety

#### Burn Hazards

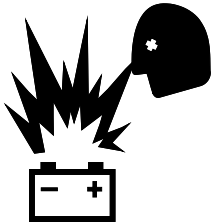


Batteries contain acid. Always wear protective clothing and eye wear when working with batteries.

Avoid spilling or contacting battery acid. Neutralize battery acid spills with baking soda and water.

Do not expose the batteries or the charger to water or rain during charging.

#### Explosion Hazards



Keep sparks, flames and lighted tobacco away from batteries. Batteries emit explosive gas.

The battery tray should remain open during the entire charging cycle.



Do not contact the battery terminals or the cable clamps with tools that may cause sparks.



#### Component Damage Hazard

Do not use any battery charger greater than 24V to charge the batteries.

#### Electrocution/Burn Hazards



Connect the battery charger to a grounded, AC 3-wire electrical outlet only.

Inspect daily for damaged cords, cables and wires. Replace damaged items before operating.

Avoid electrical shock from contact with battery terminals. Remove all rings, watches and other jewelry.

#### Tip-over Hazard

Do not use batteries that weigh less than the original equipment. Batteries are used as counterweight and are critical to machine stability. Each battery must weigh 29.5 kg. Battery tray including batteries must weigh a minimum of 152 kg. For GS-4047 machines, each battery must weigh 37 kg. Battery tray including batteries must weigh a minimum of 181 kg.

#### Lifting Hazard

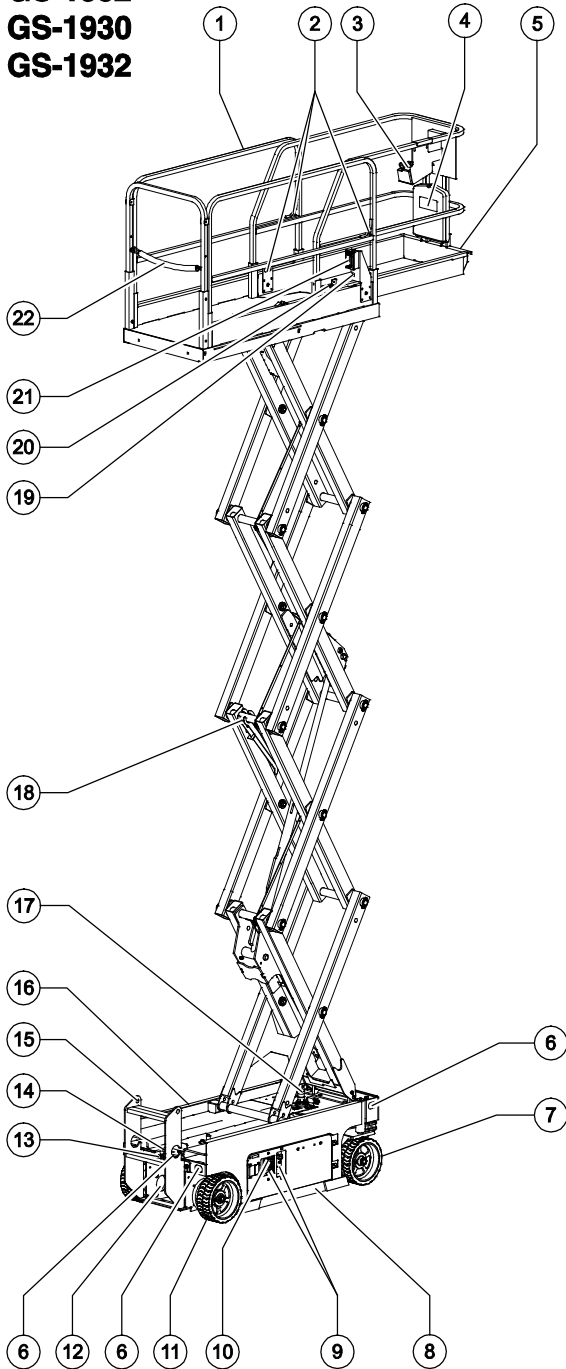
Use the appropriate number of people and proper lifting techniques when lifting batteries.

#### Lockout After Each Use

- 1 Select a safe parking location—firm level surface, clear of obstruction and traffic.
- 2 Lower the platform.
- 3 Turn the key switch to the off position and remove the key to secure from unauthorized use.
- 4 Chock the wheels.
- 5 Charge the batteries.

## Legend

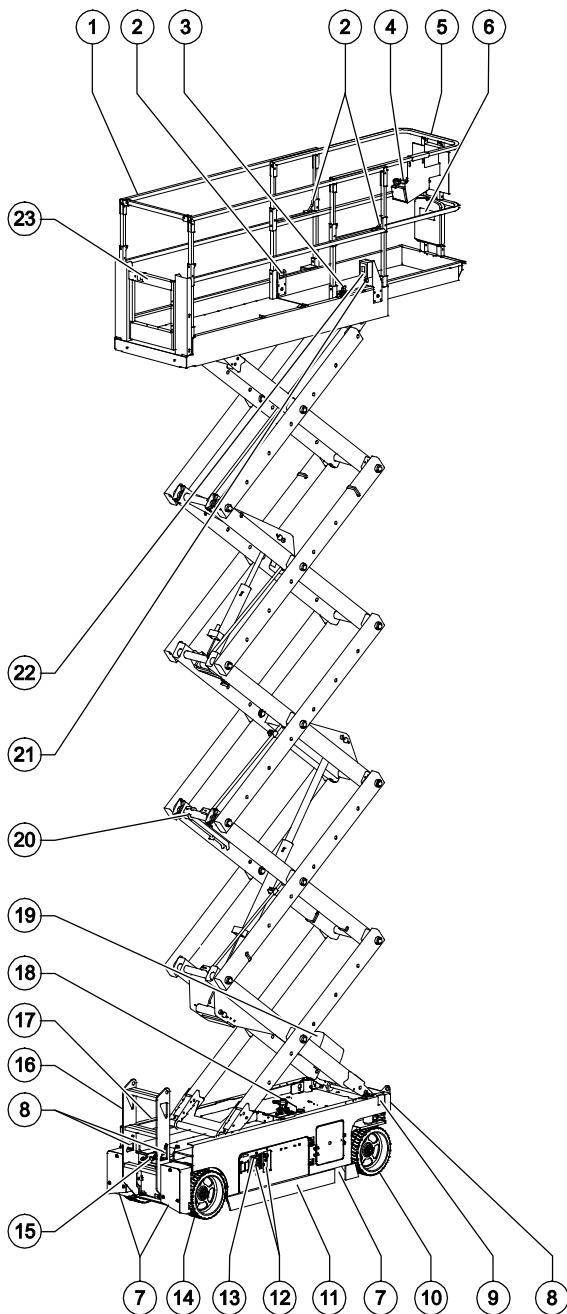
**GS-1530**  
**GS-1532**  
**GS-1930**  
**GS-1932**



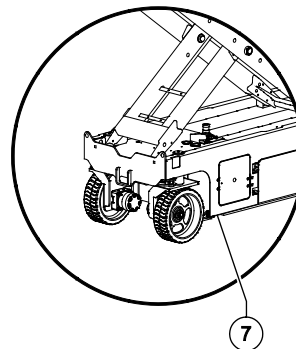
- 1 Platform guard rails
- 2 Lanyard anchorage point
- 3 Platform controls
- 4 Manual storage container
- 5 Platform extension
- 6 Transport tie-down
- 7 Steer tire
- 8 Pothole guard
- 9 Ground controls
- 10 LCD readout
- 11 Non-steer tire
- 12 Inverter (optional)
- 13 Brake release pump
- 14 Emergency lowering knob
- 15 Entry ladder / transport tie-down
- 16 Battery charger (on battery side of machine)
- 17 Tilt alarm
- 18 Safety arm
- 19 Air line to platform (optional)
- 20 Platform extension release pedal
- 21 GFCI outlet
- 22 Platform entry chain or gate

## Legend

**GS-2032**  
**GS-2632**  
**GS-3232**



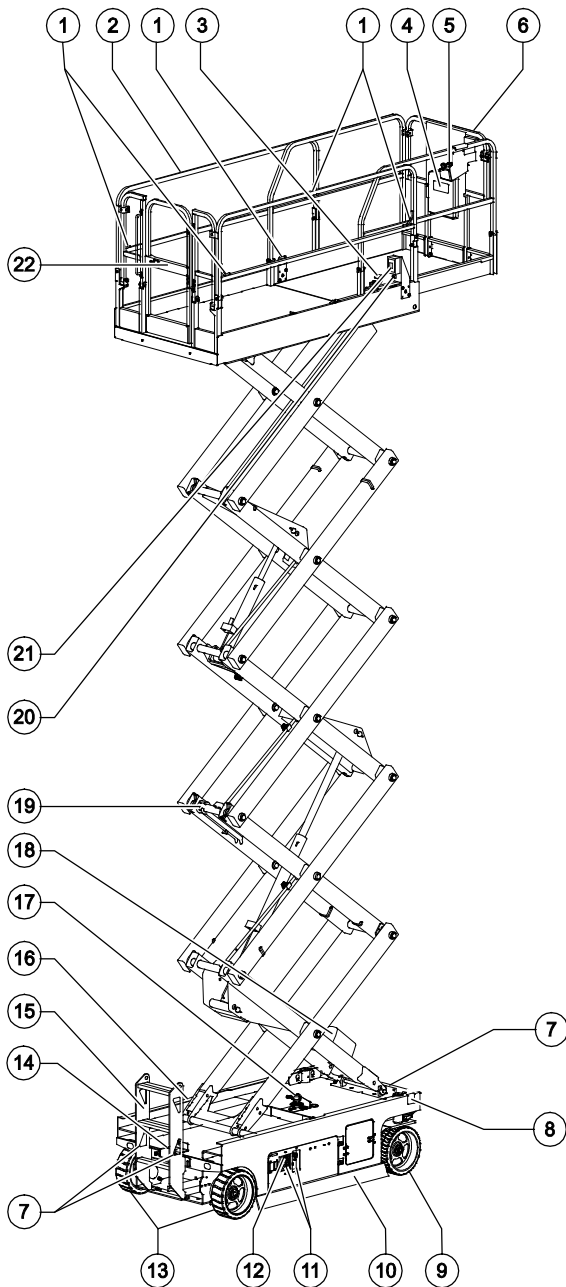
- 1 Platform guard rails
- 2 Lanyard anchorage point
- 3 Platform extension release pedal
- 4 Platform controls
- 5 Platform extension
- 6 Manual storage container
- 7 Outrigger
- 8 Transport tie-down
- 9 Emergency lowering knob
- 10 Steer tire
- 11 Pothole guard
- 12 Ground controls
- 13 LCD readout
- 14 Non-steer tire
- 15 Brake release pump
- 16 Entry ladder / transport tie-down
- 17 Battery charger (on battery side of machine)
- 18 Tilt alarm
- 19 Inverter (optional)
- 20 Safety arm
- 21 Air line to platform (optional)
- 22 GFCI outlet
- 23 Platform entry chain or gate





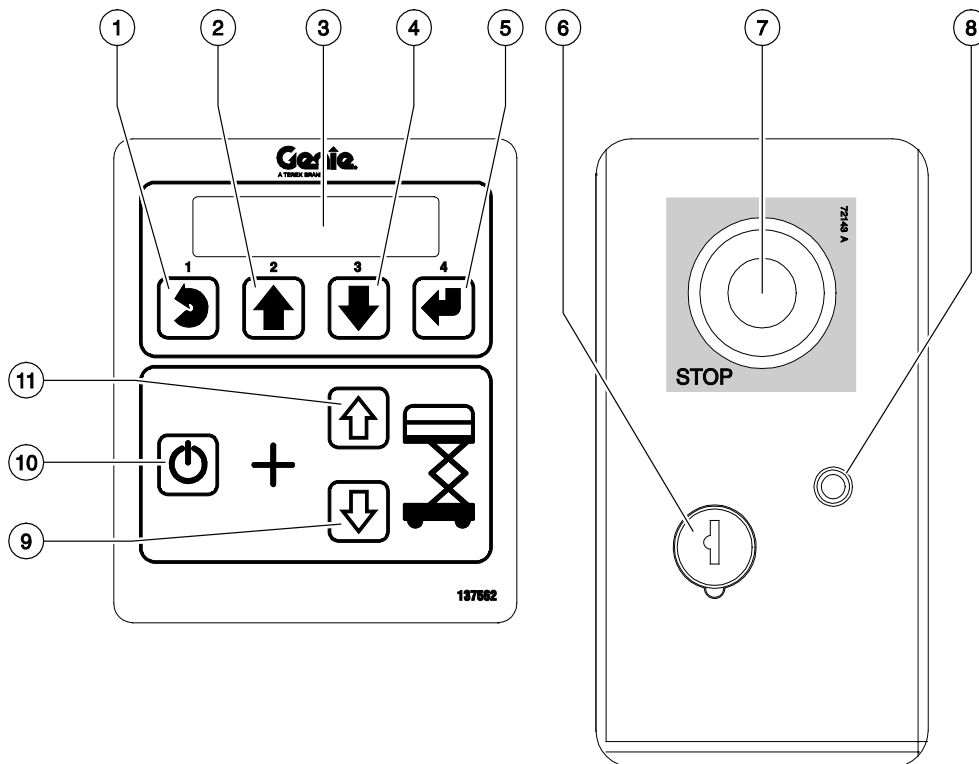
## Legend

**GS-2046**  
**GS-2646**  
**GS-3246**  
**GS-4047**



- 1 Lanyard anchorage point
- 2 Platform guard rails
- 3 Platform extension release pedal
- 4 Manual storage container
- 5 Platform controls
- 6 Platform extension
- 7 Transport tie-down
- 8 Emergency lowering knob
- 9 Steer tire
- 10 Pothole guard
- 11 Ground controls
- 12 LCD readout
- 13 Non-steer tire
- 14 Brake release pump
- 15 Entry ladder / transport tie-down
- 16 Battery charger (on battery side of machine)
- 17 Tilt alarm
- 18 Inverter (option for all models except GS-4047)
- 19 Safety arm
- 20 Air line to platform (optional)
- 21 GFCI outlet
- 22 Platform entry chain or gate

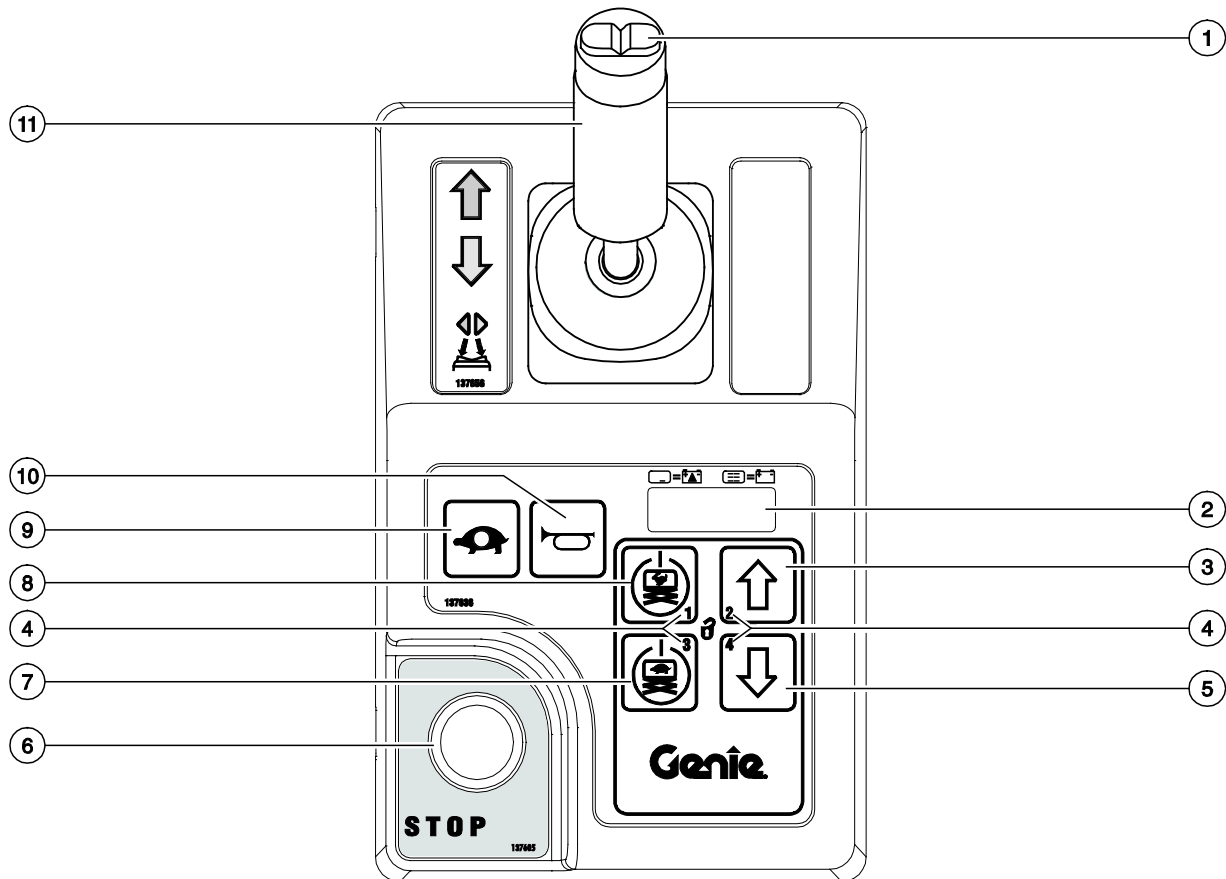
## Controls



### Ground Control Panel

- |  |   |
|--|---|
| <ul style="list-style-type: none"> <li>1 Menu escape button</li> <li>2 Menu up button</li> <li>3 LCD diagnostic readout</li> <li>4 Menu down button</li> <li>5 Menu enter button</li> <li>6 Key switch for platform/off/ground selection<br/>Turn the key switch to the platform position and the platform controls will operate. Turn the key switch to the off position and the machine will be off. Turn the key switch to the ground position and the ground controls will operate.</li> </ul> | <ul style="list-style-type: none"> <li>7 Red Emergency Stop button<br/>Push in the red Emergency Stop button to the off position to stop all functions. Pull out the red Emergency Stop button to the on position to operate the machine.</li> <li>8 7A breaker for electrical circuits</li> <li>9 Platform down button</li> <li>10 Lift function enable button<br/>Press and hold this button to activate the lift function.</li> <li>11 Platform up button</li> </ul> |
|--|---|

## Controls



### Platform Control Panel without Outrigger Function

- |   |   |    |  |
|---|---|----|--|
| 1 | Thumb rocker switch for steer function            | 7  | Low speed lift enable button   |
| 2 | LED diagnostic readout / battery charge indicator | 8  | High speed lift enable button  |
| 3 | Platform up button                                | 9  | Drive speed select button  |
| 4 | Numeric keypad (if equipped)                      | 10 | Horn button  |
| 5 | Platform down button                              | 11 | Proportional control handle and function enable switch for drive and steer functions |
| 6 | Red Emergency Stop button                         |    |  |

## Controls

### Platform Control Panel

- 1 Thumb rocker switch for steer function

Press the left side of the thumb rocker and the machine will turn in the direction the blue triangle points on the platform control panel.



Press the right side of the thumb rocker and the machine will turn in the direction the yellow triangle points on the platform control panel.



- 2 LED diagnostic readout / battery charge indicator

- 3 Platform up button

Press and hold the platform up button and the platform will raise.



- 4 Numeric keypad (if equipped)

- 5 Platform down button

Press and hold the platform down button and the platform will lower.



- 6 Red Emergency Stop button

Push in the red Emergency Stop button to the off position to stop all functions. Pull out the red Emergency Stop button to the on position to operate the machine.

- 7 Low speed lift enable button

Press and hold this button to activate the low speed platform function.



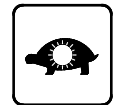
- 8 High speed lift enable button

Press and hold this button to activate the high speed platform function.



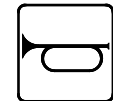
- 9 Drive speed select button

Press this button to activate the slow drive function. The indicator light will be on when slow drive is selected.



- 10 Horn button

Press the horn button and the horn will sound. Release the horn button and the horn will not sound.

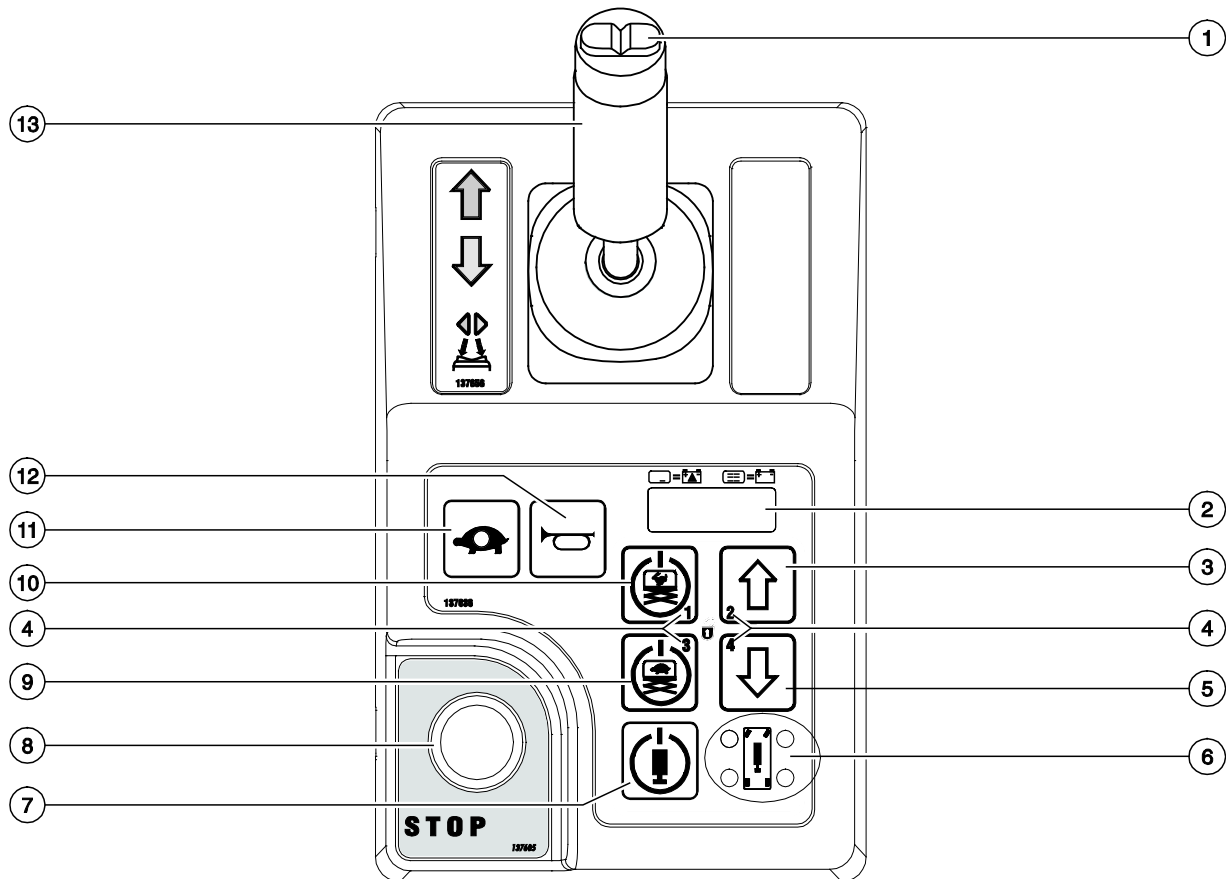


- 11 Proportional control handle and function enable switch for drive and steer functions

Press and hold the function enable switch on the platform control handle to activate the drive or steer function.

Move the drive control handle in the direction indicated by the blue and yellow arrows and the machine will move forward or reverse. Press the thumb rocker switch in the direction indicated by the blue and yellow triangles and the steer wheels will turn left or right.

## Controls



### Platform Control Panel with Outrigger Function, GS-3232 models

- |   |   |
|---|---|
| 1 Thumb rocker switch for steer function            | 8 Red Emergency Stop button   |
| 2 LED diagnostic readout / battery charge indicator | 9 Low speed lift enable button  |
| 3 Platform up OR outrigger retract button           | 10 High speed lift enable button  |
| 4 Numeric keypad (if equipped)                      | 11 Drive speed select button  |
| 5 Platform down OR outrigger extend button          | 12 Horn button  |
| 6 Outrigger indicator lights                        | 13 Proportional control handle and function enable switch for drive and steer functions |
| 7 Outrigger enable button                           |   |



## Controls

### Platform Control Panel

- 1 Thumb rocker switch for steer function

Press the left side of the thumb rocker and the machine will turn in the direction the blue triangle points on the platform control panel.



Press the right side of the thumb rocker and the machine will turn in the direction the yellow triangle points on the platform control panel.



- 2 LED diagnostic readout / battery charge indicator

- 3 Platform up OR outrigger retract button

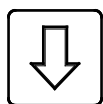
Press and hold this button and the platform will raise OR the outriggers will retract.



- 4 Numeric keypad (if equipped)

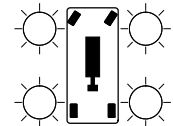
- 5 Platform down OR outrigger extend button

Press and hold this button and the platform will lower OR the outriggers will extend.



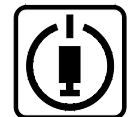
- 6 Outrigger indicator lights

During outrigger extension, lights flash green. As each outrigger contacts the ground, lights turn solid green. Any time the outrigger extension procedure is interrupted, the lights will flash green indicating the outriggers are not contacting the ground or the outriggers are not fully deployed. During outrigger retraction lights turn solid green. As each outrigger fully retracts, lights turn off. Lights will turn solid red, indicating the corresponding outrigger is at end of stroke.



- 7 Outrigger enable button

Press and hold this button to activate the outrigger function.



- 8 Red Emergency Stop button

Push in the red Emergency Stop button to the off position to stop all functions. Pull out the red Emergency Stop button to the on position to operate the machine.



## Controls

9 Low speed lift enable button

Press and hold this button to activate the low speed platform function.



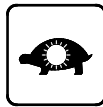
10 High speed lift enable button

Press and hold this button to activate the high speed platform function.



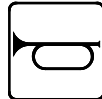
11 Drive speed select button

Press this button to activate the slow drive function. The indicator light will be on when slow drive is selected.



12 Horn button

Press the horn button and the horn will sound. Release the horn button and the horn will not sound.



13 Proportional control handle and function enable switch for drive and steer functions

Press and hold the function enable switch on the platform control handle to activate the drive or steer function.

Move the drive control handle in the direction indicated by the blue and yellow arrows and the machine will move forward or reverse.

Press the thumb rocker switch in the direction indicated by the blue and yellow triangles and the steer wheels will turn left or right.

## Inspections



### Do Not Operate Unless:

- You learn and practice the principles of safe machine operation contained in this operator's manual.

- 1 Avoid hazardous situations.
- 2 **Always perform a pre-operation inspection.**

#### **Know and understand the pre-operation inspection before going on to the next section.**

- 3 Always perform function tests prior to use.
- 4 Inspect the workplace.
- 5 Only use the machine as it was intended.

### Pre-operation Inspection Fundamentals

It is the responsibility of the operator to perform a pre-operation inspection and routine maintenance.

The pre-operation inspection is a visual inspection performed by the operator prior to each work shift. The inspection is designed to discover if anything is apparently wrong with a machine before the operator performs the function tests.

The pre-operation inspection also serves to determine if routine maintenance procedures are required. Only routine maintenance items specified in this manual may be performed by the operator.

Refer to the list on the next page and check each of the items.

If damage or any unauthorized variation from factory delivered condition is discovered, the machine must be tagged and removed from service.

Repairs to the machine may only be made by a qualified service technician, according to the manufacturer's specifications. After repairs are completed, the operator must perform a pre-operation inspection again before going on to the function tests.

Scheduled maintenance inspections shall be performed by qualified service technicians, according to the manufacturer's specifications and the requirements listed in the responsibilities manual.



## Inspections

### Pre-operation Inspection

- Be sure that the operator's, safety and responsibilities manuals are complete, legible and in the storage container located in the platform.
- Be sure that all decals are legible and in place. See Inspections section.
- Check for hydraulic oil leaks and proper oil level. Add oil if needed. See Maintenance section.
- Check for battery fluid leaks and proper fluid level. Add distilled water if needed. See Maintenance section.

Check the following components or areas for damage, improperly installed or missing parts and unauthorized modifications:

- Electrical components, wiring and electrical cables
- Hydraulic hoses, fittings, cylinders and manifolds
- Drive motors
- Wear pads
- Tires and wheels
- Limit switches, alarms and horn
- Alarms and beacons (if equipped)
- Nuts, bolts and other fasteners
- Brake release components
- Safety arm
- Platform extension
- Scissor pins and retaining fasteners
- Platform control joystick

- Outrigger housing and footpads (if equipped)
- Battery pack and connections
- Ground strap
- Platform entry chain or gate
- Platform overload components
- Pothole guards

Check entire machine for:

- Cracks in welds or structural components
- Dents or damage to machine
- Excessive rust, corrosion or oxidation
- Be sure that all structural and other critical components are present and all associated fasteners and pins are in place and properly tightened.
- Be sure side rails are installed and bolts are fastened.
- Be sure that the chassis trays are closed and latched and the batteries are properly connected.

Note: If the platform must be raised to inspect the machine, make sure the safety arm is in place. See Operating Instructions section.

## Inspections



### Do Not Operate Unless:

- You learn and practice the principles of safe machine operation contained in this operator's manual.
  - 1 Avoid hazardous situations.
  - 2 Always perform a pre-operation inspection.
  - 3 Always perform function tests prior to use.**

**Know and understand the function tests before going on to the next section.**

- 4 Inspect the workplace.
- 5 Only use the machine as it was intended.

### Function Test Fundamentals

The function tests are designed to discover any malfunctions before the machine is put into service. The operator must follow the step-by-step instructions to test all machine functions.

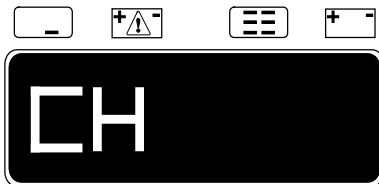
A malfunctioning machine must never be used. If malfunctions are discovered, the machine must be tagged and removed from service. Repairs to the machine may only be made by a qualified service technician, according to the manufacturer's specifications.

After repairs are completed, the operator must perform a pre-operation inspection and function tests again before putting the machine into service.

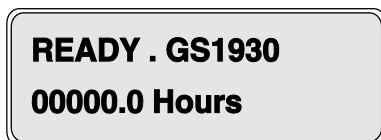
## Inspections

### At the Ground Controls

- 1 Select a test area that is firm, level and free of obstruction.
- 2 Be sure the batteries are connected.
- 3 Pull out the platform and ground red Emergency Stop button to the on position.
- 4 Turn the key switch to ground control.
- 5 Observe the diagnostic LED readout on the platform controls.
- ⦿ Result: The LED should look like the picture below.



- 6 Observe the diagnostic LCD readout on the ground controls.
- ⦿ Result: The LCD should display the model and hour meter.



### Test Emergency Stop

- 7 Push in the ground red Emergency Stop button to the off position.
- ⦿ Result: No functions should operate.
- 8 Pull out the red Emergency Stop button to the on position.

### Test the Up/Down Functions

The audible warnings on this machine and the standard horn all come from the same central alarm. The horn is a constant tone. The descent alarm sounds at 60 beeps per minute. The alarm sounds at 180 beeps per minute when the pothole guards have not deployed and when the machine is not level. An optional automotive-style horn is also available.

- 9 Do not press the lift function enable button.
- 10 Press the platform up or platform down button.
- ⦿ Result: The lift function should not operate.
- 11 Do not press the platform up or platform down buttons.
- 12 Press the lift function enable button.
- ⦿ Result: The lift function should not operate.
- 13 Press and hold the lift function enable button, and press the platform up button.
- ⦿ Result: The platform should raise.
- 14 Press and hold the lift function enable button, and press the platform down button.
- ⦿ Result: The platform should lower. The descent alarm should sound while the platform is lowering.

### Test Emergency Lowering

- 15 Activate the up function by pressing the lift enable button and platform up button, and raise the platform approximately 60 cm.

#### 16 For GS-30 Models

Pull the emergency lowering knob located behind the entry ladder.

#### For GS-32, GS-46, and GS-47 Models

Pull the emergency lowering knob located on the ground controls side of the machine, at the steer end.

- ⦿ Result: The platform should lower. The descent alarm will not sound.
- 17 Turn the key switch to platform control.



## Inspections

### At the Platform Controls

#### Test Emergency Stop

- 18 Push in the platform red Emergency Stop button to the off position.
- ⦿ Result: No functions should operate.

#### Test the Horn

- 19 Pull out the red Emergency Stop button to the on position.
- 20 Push the horn button.
- ⦿ Result: The horn should sound.

#### Test the Drive/Steer Function Enable Switch

- 21 Do not hold the drive/steer function enable switch on the control handle.
- 22 Slowly move the control handle in the direction indicated by the blue arrow, then in the direction indicated by the yellow arrow.
- ⦿ Result: No functions should operate.

#### Test the Lift Enable Buttons

- 23 Do not press the high speed or low speed lift enable buttons.
- 24 Press the platform up or platform down button.
- ⦿ Result: The lift function should not operate.
- 25 Do not press the platform up or platform down buttons.
- 26 Press the high speed or low speed lift enable button.
- ⦿ Result: The lift function should not operate.

#### Test the Up/Down Functions

- 27 Press and hold the high speed lift enable button.
- 28 Press the platform up button.
- ⦿ Result: The platform should raise. The pothole guards should deploy.
- 29 Release the high speed lift enable button or the platform up button.
- ⦿ Result: The platform should stop raising.
- 30 Press and hold the high speed lift enable button.
- 31 Press the platform down button.
- ⦿ Result: The platform should lower. The descent alarm should sound while the platform is lowering.
- 32 Release the high speed lift enable button or the platform down button.
- ⦿ Result: The platform should stop lowering.
- 33 Press and hold the low speed lift enable button.
- 34 Press the platform up button.
- ⦿ Result: The platform should raise. The pothole guards should deploy.
- 35 Release the low speed lift enable button or the platform up button.
- ⦿ Result: The platform should stop raising.
- 36 Press and hold the low speed lift enable button.
- 37 Press the platform down button.
- ⦿ Result: The platform should lower at the same descent speed as high speed. The descent alarm should sound while the platform is lowering.
- 38 Release the low speed lift enable button or the platform down button.
- ⦿ Result: The platform should stop lowering.



## Inspections

### Test the Steering

Note: When performing the steer and drive function tests, stand in the platform facing the steer end of the machine.

- 39 Press and hold the drive/steer function enable switch on the control handle.
- 40 Press the thumb rocker switch on top of the control handle in the direction indicated by the blue triangle, on the control panel.
  - ⦿ Result: The steer wheels should turn in the direction indicated by the blue triangle.
- 41 Press the thumb rocker switch on top of the control handle in the direction indicated by the yellow triangle, on the control panel.
  - ⦿ Result: The steer wheels should turn in the direction indicated by the yellow triangle.

### Test Drive and Braking

- 42 Press and hold the drive/steer function enable switch on the control handle.
- 43 Slowly move the drive control handle in the direction indicated by the blue arrow on the control panel until the machine begins to move, then return the handle to the center position.
  - ⦿ Result: The machine should move in the direction that the blue arrow points on the control panel, then come to an abrupt stop when the control handle is returned to the center position.
- 44 Slowly move the control handle in the direction indicated by the yellow arrow on the control panel until the machine begins to move, then return the handle to the center position.
  - ⦿ Result: The machine should move in the direction that the yellow arrow points on the control panel, then come to an abrupt stop when the control handle is returned to the center position.

Note: The brakes must be able to hold the machine on any slope it is able to climb.





## Inspections

### Test the Tilt Sensor Operation

Note: Perform this test from the ground with the platform controller. Do not stand in the platform.

- 45 Fully lower the platform.
- 46 Place a 2x4 or similar piece of wood under both wheels on one side and drive the machine up onto them.
- 47 Press and hold the high speed lift enable button and the platform up button. Raise the platform approximately 2.1 m from the ground.
  - ⦿ Result: The platform should stop and the tilt alarm will sound at 180 beeps per minute. The platform controls LED readout should display LL and the ground controls LCD should display LL: Machine Tilted.
- 48 Press and hold the drive/steer function enable switch on the control handle. Move the drive control handle in the direction indicated by the blue arrow, then move the drive control handle in the direction indicated by the yellow arrow.
  - ⦿ Result: The drive function should not work in either direction.
- 49 Press and hold the high or low speed lift enable button and the platform down button. Lower the platform and remove both pieces of wood.

### Test Elevated Drive Speed

- 50 Press and hold the high or low speed lift enable button.
  - 51 Press the platform up button and raise the platform approximately 1.2 m from the ground.
  - 52 Press and hold the drive/steer function enable switch on the control handle. Slowly move the control handle to full drive position.
    - ⦿ Result: The maximum achievable drive speed with the platform raised should not exceed 22 cm/s.
- If the drive speed with the platform raised exceeds 22 cm/s, immediately tag and remove the machine from service.



## Inspections

### Test the Pothole Guards

Note: The pothole guards should automatically deploy when the platform is raised. The pothole guards activate limit switches that allow the machine to continue to function. If the pothole guards do not deploy, an alarm sounds and the machine will not drive or steer.

- 53 Press and hold the high or low speed lift enable button, and press the platform up button to raise the platform.
  - ⦿ Result: When the platform is raised 1.2 m from the ground, the pothole guards should deploy.
- 54 Press on the pothole guards on one side, and then the other.
  - ⦿ Result: The pothole guards should not move.
- 55 Press and hold the high or low speed lift enable button, and press the platform down button to lower the platform.
  - ⦿ Result: The pothole guards should return to the stowed position.
- 56 Place a 2x4 or similar piece of wood under a pothole guard.
  - 57 Press and hold the high or low speed lift enable button, and press the platform up button to raise the platform.
    - ⦿ Result: Before the platform is raised 2.1 m from the ground, an alarm should sound. The platform controls LED readout should display PHS and the ground controls LCD should display PHS: Pothole Guard Stuck.
  - 58 Press and hold the drive/steer function enable switch on the control handle.
  - 59 Slowly move the control handle in the direction indicated by the blue arrow, then in the direction indicated by the yellow arrow.
    - ⦿ Result: The machine should not move forward or backward.
  - 60 Press and hold the drive/steer function enable switch on the control handle.
  - 61 Press the thumb rocker switch on top of the control handle in the direction indicated by the blue and yellow triangles on the control panel.
    - ⦿ Result: The steer wheels should not turn left or right.
  - 62 Press and hold the high or low speed lift enable button, and press the platform down button to lower the platform.
  - 63 Remove the 2x4 or similar piece of wood.



## Inspections

### Test the Outrigger Function (GS-3232)

- 64 Press and hold the high speed lift enable button.
- 65 Press the platform up button.
  - ⦿ Result: The platform should raise to 6.7 m and stop. The LED diagnostic readout will display Ld and an alarm should sound.
- 66 Press and hold the outrigger enable button.
  - ⦿ Result: The outriggers should not extend.
- 67 Press and hold the outrigger extend button.
  - ⦿ Result: The outriggers should not extend.
- 68 Press and hold the outrigger enable button. Press the outrigger extend button.
  - ⦿ Result: The outriggers should not extend.
- 69 Fully lower the platform.
- 70 Press and hold the outrigger enable button.
  - ⦿ Result: The outriggers should not extend.
- 71 Press and hold the outrigger extend button.
  - ⦿ Result: The outriggers should not extend.

- 72 Press and hold the outrigger enable button. Press the outrigger extend button.
  - ⦿ Result: The outriggers should extend. The individual outrigger indicator lights will flash green as the corresponding outrigger extends.

Continue pressing the outrigger enable and the outrigger extend buttons until all outrigger indicator lights turn solid green and a long beep is heard from the platform controls alarm. The machine is now level. At this point, the drive and steer functions are disabled.

Note: If the outrigger lights are solid green, the machine may not be level or the outriggers may not be fully deployed if a long beep is not heard at the platform controls alarm.

Note: If the outrigger enable and extend buttons are released too soon during extension, the outrigger indicator lights will continue to flash green, indicating the outriggers are not contacting the ground.

Note: If the outrigger enable and extend buttons are released too soon after the outriggers have contacted the ground, a long beep will not be heard at the platform controls and the outrigger indicator lights will be solid green. If a long beep is not heard and the outrigger indicator lights are solid green, this condition may indicate the outriggers are not fully deployed or the machine is not level.



## Inspections

- 73 Press and hold the drive/steer function enable switch on the control handle.
- 74 Slowly move the control handle in the direction indicated by the blue arrow, then in the direction indicated by the yellow arrow.
- ⦿ Result: The machine should not move in the directions indicated by the blue and yellow arrows.
- 75 Press and hold the drive/steer function enable switch on the control handle.
- 76 Press the thumb rocker switch on top of the control handle in the direction indicated by the blue and yellow triangles on the control panel.
- ⦿ Result: The steer wheels should not turn in the directions indicated by the blue and yellow triangles.
- 77 Press and hold the high speed lift enable button.
- 78 Press the platform up button.
- ⦿ Result: The platform should raise to 9.8 m and stop.
- 79 Fully lower the platform.
- 80 Press and hold the outrigger enable button.
- ⦿ Result: The outriggers should not retract.
- 81 Press and hold the outrigger retract button.
- ⦿ Result: The outriggers should not retract.
- 82 Press and hold the outrigger enable button. Press the outrigger retract button.
- ⦿ Result: The outriggers should retract. The individual outrigger indicator lights will turn solid green as the corresponding outrigger retracts.
- Continue pressing the outrigger enable and the outrigger retract buttons until the outriggers are completely retracted. Release the outrigger enable and outrigger retract buttons when all outrigger indicator lights turn off. All functions are now restored.
- Note: If the outrigger enable and retract buttons are released too soon during retraction, the outrigger indicator lights will flash green, indicating the outriggers are not fully retracted.

## Inspections



### Do Not Operate Unless:

- You learn and practice the principles of safe machine operation contained in this operator's manual.
  - 1 Avoid hazardous situations.
  - 2 Always perform a pre-operation inspection.
  - 3 Always perform function tests prior to use.
  - 4 Inspect the workplace.**

**Know and understand the workplace inspection before going on to the next section.**

  - 5 Only use the machine as it was intended.

### Workplace Inspection Checklist

Be aware of and avoid the following hazardous situations:

- drop-offs or holes
- bumps, floor obstructions or debris
- sloped surfaces
- unstable or slippery surfaces
- overhead obstructions and high voltage conductors
- hazardous locations
- inadequate surface support to withstand all load forces imposed by the machine
- wind and weather conditions
- the presence of unauthorized personnel
- other possible unsafe conditions

### Workplace Inspection Fundamentals

The workplace inspection helps the operator determine if the workplace is suitable for safe machine operation. It should be performed by the operator prior to moving the machine to the workplace.

It is the operator's responsibility to read and remember the workplace hazards, then watch for and avoid them while moving, setting up and operating the machine.



## Inspections

### Decal Inspection for Models GS-1530, GS-1532, GS-1930 and GS-1932

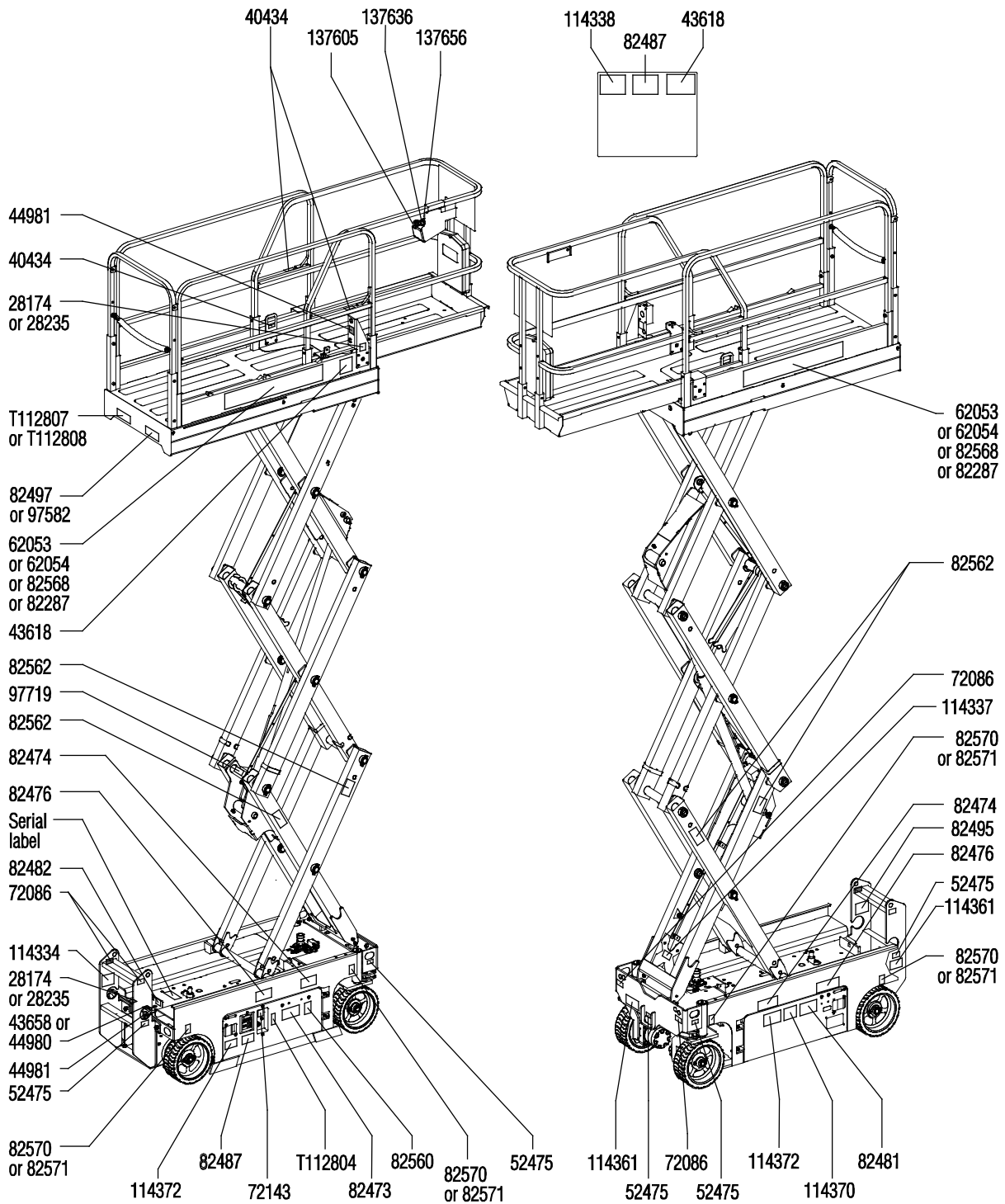
Use the pictures on the next page to verify that all decals are legible and in place.

Below is a numerical list with quantities and descriptions.

| Part No. | Decal Description                     | Qty |
|----------|---------------------------------------|-----|
| 28174    | Label – Power to Platform, 230V       | 2   |
| 28235    | Label – Power to Platform, 115V       | 2   |
| 40434    | Label – Lanyard Anchorage Point       | 5   |
| 43618    | Label – Directional Arrows            | 2   |
| 43658    | Label – Power to Charger, 230V        | 1   |
| 44980    | Label – Power to Charger, 115V        | 1   |
| 44981    | Label – Air Line to Platform, 110 PSI | 2   |
| 52475    | Label – Transport Tie-down            | 5   |
| 62053    | Cosmetic – Genie GS-1530              | 2   |
| 62054    | Cosmetic – Genie GS-1930              | 2   |
| 72086    | Label – Lifting Point                 | 4   |
| 72143    | Label – Emergency Stop                | 1   |
| 82287    | Cosmetic – Genie GS-1932              | 2   |
| 82473    | Label – Compartment Access            | 1   |
| 82474    | Label – Use Safety Chock              | 2   |
| 82476    | Label – Electrocutation Hazard        | 2   |
| 82481    | Label – Battery/Charger Safety        | 1   |
| 82482    | Label – Emergency Lowering            | 1   |

| Part No. | Decal Description   | Qty |
|----------|---|-----|
| 82487    | Label – Read the Manual   | 2   |
| 82495    | Label – Brake Release Safety and Operating Instructions               | 1   |
| 82497    | Label – Manual Force, 200 N Outdoors/400 N Indoors, GS-1532 & GS-1932 | 1   |
| 82560    | Label – Skin Injection Hazard   | 1   |
| 82562    | Label – Crushing Hazard   | 4   |
| 82568    | Cosmetic – Genie GS-1532  | 2   |
| 82570    | Label – Wheel Load, GS-1530 and GS-1532                               | 4   |
| 82571    | Label – Wheel Load, GS-1930 and GS-1932                               | 4   |
| 97582    | Label – Manual Force, 400 N, Indoor Use Only, GS-1530 and GS-1930     | 1   |
| 97719    | Label – Safety Arm  | 1   |
| 114334   | Label – Electrocutation Hazard, Plug                                  | 1   |
| 114337   | Label – Tip-over Hazard, Limit Switch                                 | 1   |
| 114338   | Label – Tip-over Hazard, Tilt Alarm                                   | 1   |
| 114361   | Label – Transport Diagram   | 2   |
| 114370   | Label – Tip-over Hazard, Batteries                                    | 1   |
| 114372   | Label – Tip-over Hazard, Open Trays                                   | 2   |
| 137605   | Label – Emergency Stop, Platform Control                              | 1   |
| 137636   | Overlay – Platform Control Panel                                      | 1   |
| 137656   | Label – Drive/Steer Direction, Platform Control                       | 1   |
| T112804  | Label – Ground Control Panel  | 1   |
| T112807  | Instructions – Maximum Capacity, 272 kg, GS-1530 and GS-1532          | 1   |
| T112808  | Instructions – Maximum Capacity, 227 kg, GS-1930 and GS-1932          | 1   |

# Inspections





## Inspections

### Decal Inspection for Models GS-2032, GS-2632 and GS-3232

Use the pictures on the next page to verify that all decals are legible and in place.

Below is a numerical list with quantities and descriptions.

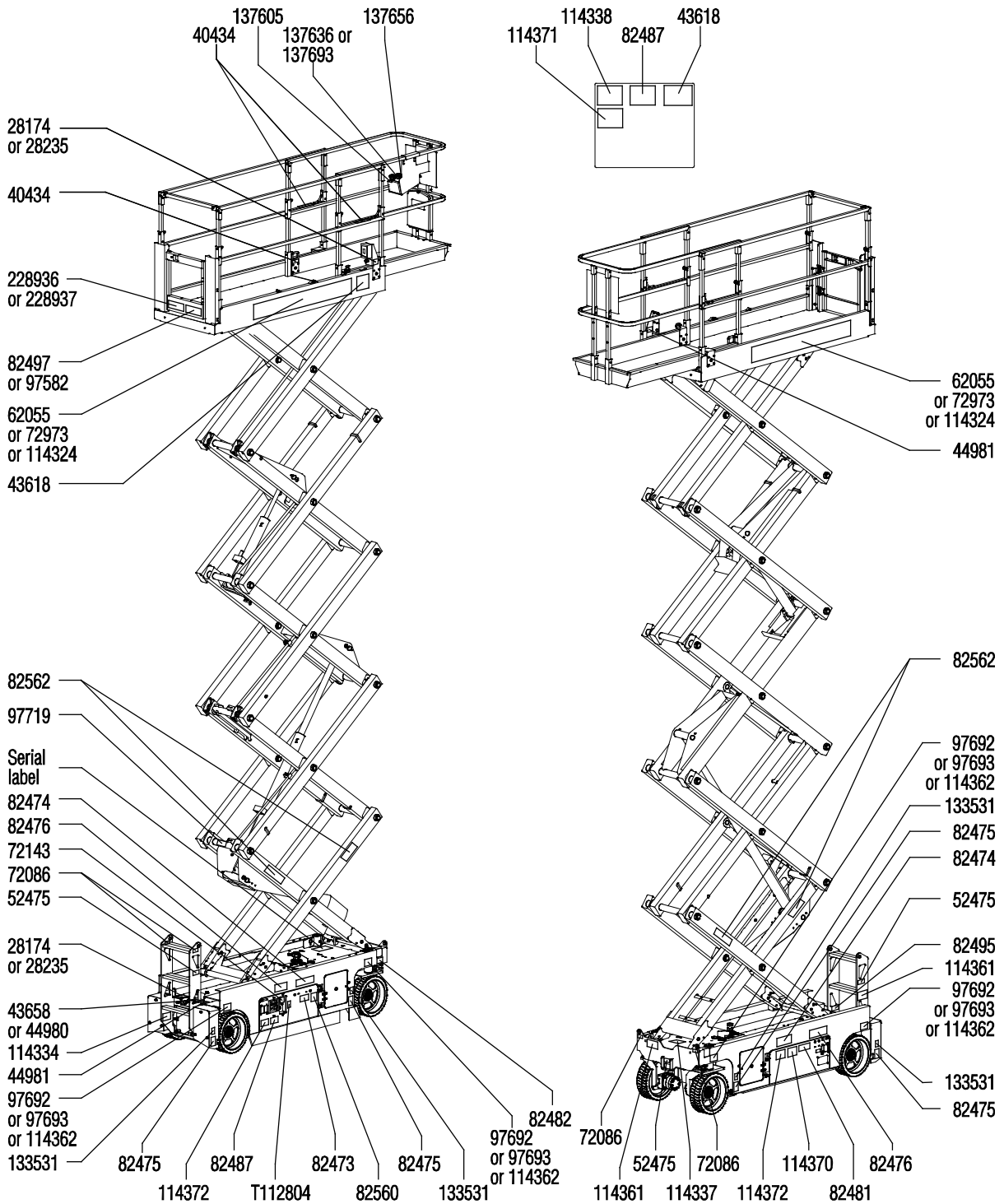
| Part No. | Decal Description                                       | Qty |
|----------|---|-----|
| 28174    | Label – Power to Platform, 230V                         | 2   |
| 28235    | Label – Power to Platform, 115V                         | 2   |
| 40434    | Label – Lanyard Anchorage Point                         | 3   |
| 43618    | Label – Directional Arrows                              | 2   |
| 43658    | Label – Power to Charger, 230V                          | 1   |
| 44980    | Label – Power to Charger, 115V                          | 1   |
| 44981    | Label – Air Line to Platform, 110 PSI                   | 2   |
| 52475    | Label – Transport Tie-down                              | 3   |
| 62055    | Cosmetic – Genie GS-2032                                | 2   |
| 72086    | Label – Lifting Point                                   | 4   |
| 72143    | Label – Emergency Stop                                  | 1   |
| 72973    | Cosmetic – Genie GS-2632                                | 2   |
| 82473    | Label – Compartment Access                              | 1   |
| 82474    | Label – Use Safety Chock                                | 2   |
| 82475    | Label – Crushing Hazard, Outriggers                     | 4   |
| 82476    | Label – Electrocution Hazard                            | 2   |
| 82481    | Label – Battery/Charger Safety                          | 1   |
| 82482    | Label – Emergency Lowering                              | 1   |
| 82487    | Label – Read the Manual                                 | 2   |
| 82495    | Label – Brake Release Safety and Operating Instructions | 1   |

| Part No. | Decal Description   | Qty |
|----------|---|-----|
| 82497    | Label – Manual Force, 200 N Outdoors/400 N Indoors, GS-2032       | 1   |
| 82560    | Label – Skin Injection Hazard                                     | 1   |
| 82562    | Label – Crushing Hazard   | 4   |
| 97582    | Label – Manual Force, 400 N, Indoor Use Only, GS-2632 and GS-3232 | 1   |
| 97692    | Label – Wheel Load, GS-2032                                       | 4   |
| 97693    | Label – Wheel Load, GS-2632                                       | 4   |
| 97719    | Label – Safety Arm  | 1   |
| 114324   | Cosmetic – Genie GS-3232  | 2   |
| 114334   | Label – Electrocution Hazard, Plug                                | 1   |
| 114337   | Label – Tip-over Hazard, Limit Switch                             | 1   |
| 114338   | Label – Tip-over Hazard, Tilt Alarm                               | 1   |
| 114361   | Label – Transport Diagram   | 2   |
| 114362   | Label – Wheel Load, GS-3232                                       | 4   |
| 114370   | Label – Tip-over Hazard, Batteries                                | 1   |
| 114371   | Label – Outrigger Safety  | 1   |
| 114372   | Label – Tip-over Hazard, Open Trays                               | 2   |
| 133531   | Label – Outrigger Load, GS-3232                                   | 4   |
| 137605   | Label – Emergency Stop, Platform Control                          | 1   |
| 137636   | Overlay – Platform Control Panel (All Models Except GS-3232)      | 1   |
| 137656   | Label – Drive/Steer Direction, Platform Control                   | 1   |
| 137693   | Overlay – Platform Control Panel (GS-3232 only)                   | 1   |
| 228936   | Label – Maximum Capacity, 363 kg, GS-2032                         | 1   |
| 228937   | Label – Maximum Capacity, 227 kg, GS-2632 and GS-3232             | 1   |
| T112804  | Label – Ground Control Panel                                      | 1   |





# Inspections





## Inspections

### Decal Inspection for Models GS-2046, GS-2646, GS-3246 and GS-4047

Use the pictures on the next page to verify that all decals are legible and in place.

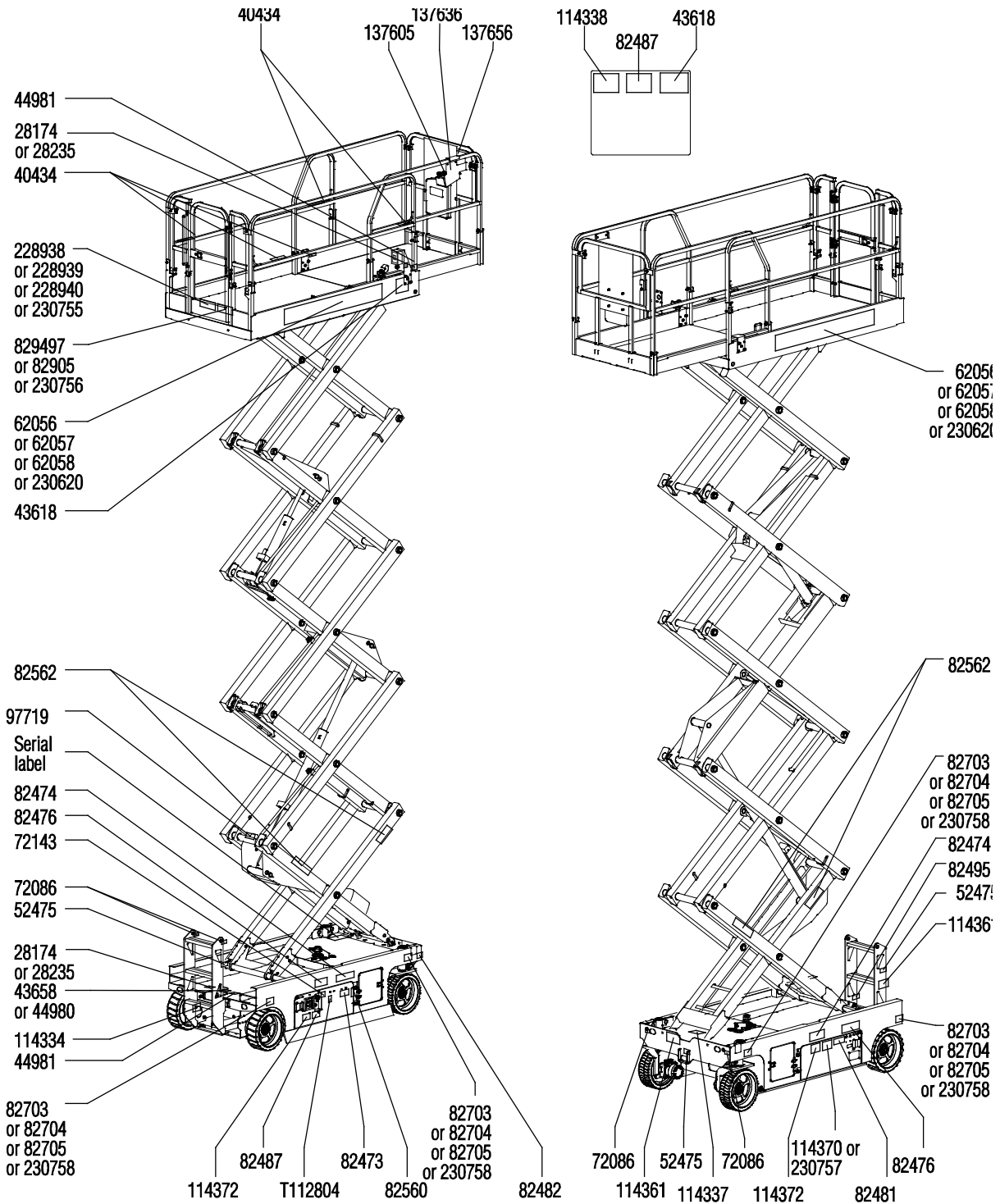
Below is a numerical list with quantities and descriptions.

| Part No. | Decal Description                                       | Qty |
|----------|---|-----|
| 28174    | Label – Power to Platform, 230V                         | 2   |
| 28235    | Label – Power to Platform, 115V                         | 2   |
| 40434    | Label – Lanyard Anchorage Point                         | 5   |
| 43618    | Label – Directional Arrows                              | 2   |
| 43658    | Label – Power to Charger, 230V                          | 1   |
| 44980    | Label – Power to Charger, 115V                          | 1   |
| 44981    | Label – Air Line to Platform, 110 PSI                   | 2   |
| 52475    | Label – Transport Tie-down                              | 5   |
| 62056    | Cosmetic – Genie GS-2046                                | 2   |
| 62057    | Cosmetic – Genie GS-2646                                | 2   |
| 62058    | Cosmetic – Genie GS-3246                                | 2   |
| 72086    | Label – Lifting Point                                   | 4   |
| 72143    | Label – Emergency Stop                                  | 1   |
| 82473    | Label – Compartment Access                              | 1   |
| 82474    | Label – Use Safety Chock                                | 2   |
| 82476    | Label – Electrocutation Hazard                          | 2   |
| 82481    | Label – Battery/Charger Safety                          | 1   |
| 82482    | Label – Emergency Lowering                              | 1   |
| 82487    | Label – Read the Manual                                 | 2   |
| 82495    | Label – Brake Release Safety and Operating Instructions | 1   |

| Part No. | Decal Description  | Qty |
|----------|--|-----|
| 28174    | Label – Power to Platform, 230V                                  | 2   |
| 82497    | Label – Manual Force, 200 N Outdoors/400 N Indoors, GS-3246      | 1   |
| 82560    | Label – Skin Injection Hazard                                    | 1   |
| 82562    | Label – Crushing Hazard  | 4   |
| 82703    | Label – Wheel Load, GS-2046                                      | 4   |
| 82704    | Label – Wheel Load, GS-2646                                      | 4   |
| 82705    | Label – Wheel Load, GS-3246                                      | 4   |
| 82905    | Label – Manual Force, 400 N, GS-2046 and GS-2646                 | 1   |
| 97719    | Label – Safety Arm   | 1   |
| 114334   | Label – Electrocutation Hazard, Plug                             | 1   |
| 114337   | Label – Tip-over Hazard, Limit Switch                            | 1   |
| 114338   | Label – Tip-over Hazard, Tilt Alarm                              | 1   |
| 114361   | Label – Transport Diagram  | 2   |
| 114370   | Label – Tip-over Hazard, Batteries, GS-2046, GS-2646 and GS-3246 | 1   |
| 114372   | Label – Tip-over Hazard, Open Trays                              | 2   |
| 137605   | Label – Emergency Stop, Platform Control                         | 1   |
| 137636   | Overlay – Platform Control Panel                                 | 1   |
| 137656   | Label – Drive/Steer Direction, Platform Control                  | 1   |
| 228938   | Label – Maximum Capacity, 544 kg, GS-2046                        | 1   |
| 228939   | Label – Maximum Capacity, 454 kg, GS-2646                        | 1   |
| 228940   | Label – Maximum Capacity, 318 kg, GS-3246                        | 1   |
| 230620   | Cosmetic – Genie GS-4047   | 2   |
| 230755   | Label – Maximum Capacity, 350 kg, GS-4047                        | 1   |
| 230756   | Label – Manual Force, 400 N Indoors Only, GS-4047                | 1   |
| 230757   | Label – Tip-over Hazard, Batteries, GS-4047                      | 1   |
| 230758   | Label – Wheel Load, GS-4047                                      | 4   |
| T112804  | Label – Ground Control Panel                                     | 1   |



# Inspections





## Operating Instructions



### Do Not Operate Unless:

- You learn and practice the principles of safe machine operation contained in this operator's manual.
  - 1 Avoid hazardous situations.
  - 2 Always perform a pre-operation inspection.
  - 3 Always perform function tests prior to use.
  - 4 Inspect the workplace.
  - 5 **Only use the machine as it was intended.**

### Fundamentals

The Operating Instructions section provides instructions for each aspect of machine operation. It is the operator's responsibility to follow all the safety rules and instructions in the operator's, safety and responsibilities manuals.

Using the machine for anything other than lifting personnel, along with their tools and materials, to an aerial work site is unsafe and dangerous.

Only trained and authorized personnel should be permitted to operate a machine. If more than one operator is expected to use a machine at different times in the same work shift, they must all be qualified operators and are all expected to follow all safety rules and instructions in the operator's, safety and responsibilities manuals. That means every new operator should perform a pre-operation inspection, function tests, and a workplace inspection before using the machine.



## Operating Instructions

### Emergency Stop

Push in the red Emergency Stop button to the off position at the ground controls or the platform controls to stop all functions.

Repair any function that operates when either red Emergency Stop button is pushed in.

### Emergency Lowering

- 1 Pull the emergency lowering knob to lower the platform.

### Operation from Ground

- 1 Be sure the battery pack is connected before operating the machine.
- 2 Turn the key switch to ground control.
- 3 Pull out both ground and platform red Emergency Stop buttons to the on position.

### To Position Platform

- 1 At the control panel, press and hold the lift function enable button.
- 2 Press the platform up or down button.

Drive and steer functions are not available from the ground controls.

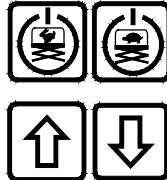
### Operation from Platform

- 1 Be sure the battery pack is connected before operating the machine.
- 2 Turn the key switch to platform control.
- 3 Pull out both ground and platform red Emergency Stop buttons to the on position.

## Operating Instructions

### To Position Platform

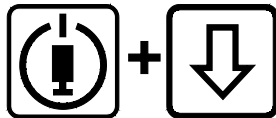
- 1 Press and hold the high or low speed lift enable button.
- 2 Press the platform up or platform down button.



### To Position Outriggers (GS-3232 models)

#### To Extend Outriggers:

- 1 Press and hold the outrigger enable button.



- 2 Press and hold the outrigger extend button.

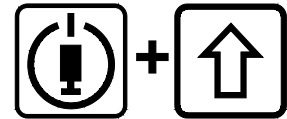
The outriggers will begin to extend. The individual outrigger indicator lights will flash green as the corresponding outrigger extends. Continue pressing the outrigger enable and the outrigger extend buttons until all outrigger indicator lights turn solid green and a long beep is heard from the platform controls alarm. The machine is now level.

Note: If the outrigger enable and extend buttons are released too soon during extension, the outrigger indicator lights will continue to flash green, indicating the outriggers are not contacting the ground.

Note: If the outrigger lights are solid green, the machine may not be level or the outriggers may not be fully deployed if a long beep is not heard at the platform controls alarm.

#### To Retract Outriggers:

- 1 Press and hold the outrigger enable button.



- 2 Press and hold the outrigger retract button.

The outriggers will begin to retract. The outrigger indicator lights will turn solid green as the corresponding outrigger retracts. Continue pressing the outrigger enable and outrigger retract buttons until all outrigger indicator lights turn off, indicating all outriggers are completely retracted. All machine functions are now restored.

Note: If the outrigger enable and retract buttons are released too soon during retraction, the outrigger indicator lights will flash green, indicating the outriggers are not fully retracted.



## Operating Instructions

### To Steer

- 1 Press and hold the drive/steer function enable switch on the control handle.
- 2 Turn the steer wheels with the thumb rocker switch located on the top of the control handle.



### To Drive

- 1 Press and hold the drive/steer function enable switch on the control handle.
- 2 Increase speed: Slowly move the control handle off center.  
Decrease speed: Slowly move the control handle toward center.  
Stop: Return the control handle to center or release the function enable switch.

Use the color-coded direction arrows on the platform controls and on the platform to identify the direction the machine will travel.

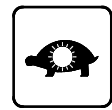
Machine travel speed is restricted when the platform is raised.

Battery condition will affect machine performance. Machine drive speed and function speed will drop when the battery level indicator is flashing.

### To select drive speed

The drive controls can operate in two different drive speed modes while in the stowed position. When the drive speed button light is on, slow drive speed mode is active. When the drive speed button light is off, fast drive speed mode is active.

Press the drive speed button to select the desired drive speed.




Note: When the platform is elevated, the drive speed button light is always on, indicating elevated drive speed.


### ▲ Driving on a slope

Determine the slope and side slope ratings for the machine and determine the slope grade.

#### Maximum slope rating, stowed position:

|   |   |     |     |
|---|---|-----|-----|
|  | GS-1530, GS-1532,<br>GS-2032, GS-2046 and<br>GS-2646          | 30% | 17° |
|   | GS-1930, GS-1932,<br>GS-2632, GS-3232,<br>GS-3246 and GS-4047 | 25% | 14° |

#### Maximum side slope rating, stowed position:

|   |   |     |     |
|---|---|-----|-----|
|  | GS-1530, GS-1532,<br>GS-2032, GS-2046, and<br>GS-2646         | 30% | 17° |
|   | GS-1930, GS-1932,<br>GS-2632, GS-3232,<br>GS-3246 and GS-4047 | 25% | 14° |

Note: Slope rating is subject to ground conditions and adequate traction.

Press the drive speed button to the fast drive speed mode.



## Operating Instructions

### To determine the slope grade:

Measure the slope with a digital inclinometer OR use the following procedure.

You will need:

- carpenter's level
- straight piece of wood, at least 1 m long
- tape measure

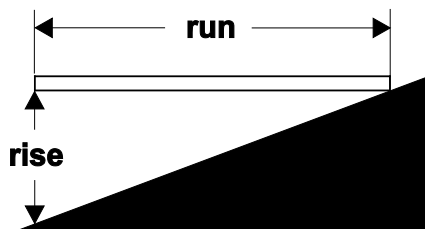
Lay the piece of wood on the slope.

At the downhill end, lay the level on the top edge of the piece of wood and lift the end until the piece of wood is level.

While holding the piece of wood level, measure the vertical distance from the bottom of the piece of wood to the ground.

Divide the tape measure distance (rise) by the length of the piece of wood (run) and multiply by 100.

Example:



Piece of wood = 3.6 m

Run = 3.6 m

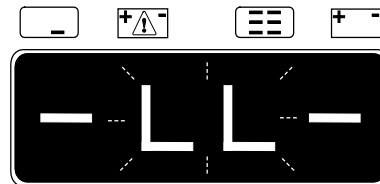
Rise = 0.3 m

$0.3 \text{ m} \div 3.6 \text{ m} = 0.083 \times 100 = 8.3\% \text{ grade}$

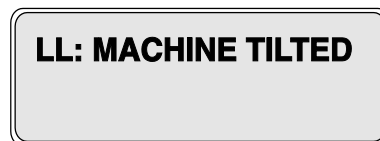
If the slope exceeds the maximum uphill, downhill or side slope rating, then the machine must be winched or transported up or down the slope. See Transport and Lifting section.

### Operational indicator codes

If the platform controls LED or ground controls LCD diagnostic readout displays an operational indicator code such as LL, the fault condition must be repaired or removed before resuming machine operation. Push in and pull out the red Emergency Stop button to reset the system.



LED Readout



LCD Readout

### Operational Indicator Codes

| Code | Condition                       |
|------|---------------------------------|
| LL   | Off-Level                       |
| OL   | Platform Overloaded             |
| CH   | Chassis Mode Operation          |
| PHS  | Pothole Guard Stuck             |
| nd   | No Drive (option)               |
| Ld   | Lifting Disabled (GS-3232 only) |

For further information, please consult the appropriate Genie Service Manual. A code and a description of a code can also be viewed at the ground controls LCD display.

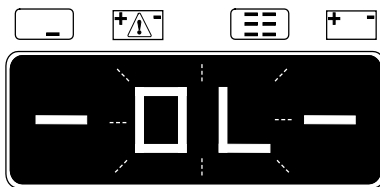


## Operating Instructions

### Platform Overload

If the platform controls LED diagnostic readout displays a flashing OL and the ground controls LCD diagnostic readout displays OL: Platform Overloaded, the platform is overloaded and no functions will operate. An alarm will sound.

- 1 Push in the Red Emergency stop button to the off position.
- 2 Remove weight from the platform.
- 3 Pull out the Red Emergency Stop button to the on position.



LED Readout



LCD Readout

### Operation from Ground with Controller

Maintain safe distances between the operator, machine and fixed objects.

Be aware of the direction the machine will travel when using the controller.

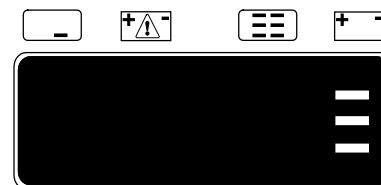
### Battery Level Indicator

Use the LED diagnostic readout to determine the battery level.

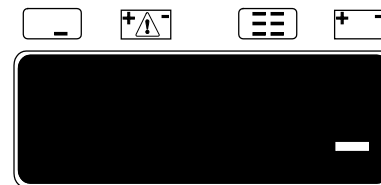
Note: When a blinking LO code appears on the platform controls LED display, the machine must be taken out of service and charged, otherwise all machine functions will be disabled.



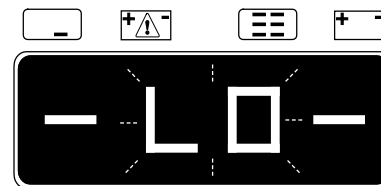
Full Charge



Half Charge



Low Charge



LO Flashing



## Operating Instructions

### How to Use the Safety Arm

- 1 Raise the platform approximately 2.4 m from the ground.
- 2 Rotate the safety arm away from the machine and let it hang down.
- 3 Lower the platform until the safety arm rests securely on the link. Keep clear of the safety arm when lowering the platform.

### How to Fold Down the Guardrails

#### **GS-1530, GS-1532, GS-1930, GS-1932, GS-2032, GS-2632 and GS-3232**

The platform railing system consists of one fold down rail section for the extension deck and one section for the main deck. All sections are held in place by four wire lock pins.

- 1 Fully lower the platform and retract the platform extension.
- 2 Remove the platform controls.
- 3 From inside the platform, remove the two rear extension deck wire lock pins.
- 4 From the rear of the extension deck railing, fold down the front rail assembly. Keep hands free of pinch points.
- 5 Replace the two removed pins back into each side rail bracket.
- 6 At the rear of the main deck, remove the two lower wire lock pins.
- 7 Carefully open the gate and move to the rear step or the ground.
- 8 From the rear step or from the ground, fold down the main deck railing assembly. Keep hands free of pinch points.
- 9 Replace the two removed pins back into each side rail bracket.

Note: To assist in the removal and replacement of the wire lock pins, pull or push back on the railing to compress the rubber bumpers.

#### **GS-2046, GS-2646, GS-3246 and GS-4047**

The platform railing system consists of three fold down rail sections for the extension deck and three sections for the main deck. All six sections are held in place by four wire lock pins.

- 1 Fully lower the platform and retract the platform extension.
- 2 Remove the platform controls.
- 3 From inside the platform, remove the two front wire lock pins.
- 4 Fold down the front rail assembly. Keep hands clear of pinch points.
- 5 Replace the two removed pins back into each side rail bracket.
- 6 Fold down each side rail assembly. Keep hands clear of pinch points.
- 7 At the rear of the main deck, remove the two wire lock pins.
- 8 Carefully open the gate and move to the ground.
- 9 Fold down the rear gate and entry side rails as one unit. Keep hands clear of pinch points.
- 10 Fold down the left and right side rails. Keep hands clear of pinch points.
- 11 Replace the two removed pins back into each side rail bracket.

### How to Raise the Guardrails

Follow the fold down instructions but in reverse order, ensuring all lock pins are in place and installed properly.



## Operating Instructions



### Battery and Charger Instructions

#### Observe and Obey:

- Do not use an external charger or booster battery.
- Charge the battery in a well-ventilated area.
- Use proper AC input voltage for charging as indicated on the charger.
- Use only a Genie authorized battery and charger.

#### To Charge Battery

- 1 Be sure the batteries are connected before charging the batteries.
- 2 Open the battery compartment. The compartment should remain open for the entire charging cycle.

#### Maintenance-free batteries

- 1 Connect the battery charger to a grounded AC circuit.
- 2 The charger will indicate when the battery is fully charged.

#### Standard Batteries

- 1 Remove the battery vent caps and check the battery acid level. If necessary, add only enough distilled water to cover the plates. Do not overfill prior to the charge cycle.
- 2 Replace the battery vent caps.
- 3 Connect the battery charger to a grounded AC circuit.
- 4 The charger will indicate when the battery is fully charged.
- 5 Check the battery acid level when the charging cycle is complete. Replenish with distilled water to the bottom of the fill tube. Do not overfill.

#### Dry Battery Filling and Charging Instructions

- 1 Remove the battery vent caps and permanently remove the plastic seal from the battery vent openings.
- 2 Fill each cell with battery acid (electrolyte) until the level is sufficient to cover the plates.

Do not fill to maximum level until the battery charge cycle is complete. Overfilling can cause the battery acid to overflow during charging. Neutralize battery acid spills with baking soda and water.

- 3 Install the battery vent caps.
- 4 Charge the battery.
- 5 Check the battery acid level when the charging cycle is complete. Replenish with distilled water to the bottom of the fill tube. Do not overfill.



## Transport and Lifting Instructions





### Observe and Obey:

- Genie provides this securement information as a recommendation. Drivers are solely responsible for making sure machines are properly secured and the correct trailer is selected pursuant to US Department of Transportation regulations, other localized regulations, and their company policy.
- Genie customers needing to containerize any lift or Genie product should source a qualified freight forwarder with expertise in preparing, loading and securing construction and lifting equipment for international shipment.
- Only qualified aerial lift operators should move the machine on or off the truck.
- The transport vehicle must be parked on a level surface.
- The transport vehicle must be secured to prevent rolling while the machine is being loaded.
- Be sure the vehicle capacity, loading surfaces and chains or straps are sufficient to withstand the machine weight. Genie lifts are very heavy relative to their size. See the serial label for the machine weight.
- The machine must be on a level surface or secured before releasing the brakes.
- Do not allow the rails to fall when the snap pins are removed. Maintain a firm grasp on the rails when the rails are lowered.
- Do not drive the machine on a slope that exceeds the uphill, downhill or side slope rating. See Driving on a Slope in the Operating Instructions section.
- If the slope of the transport vehicle bed exceeds the maximum slope rating, the machine must be loaded and unloaded using a winch as described in the brake release operation.

## Transport and Lifting Instructions

### Brake Release Operation

- 1 Chock the wheels to prevent the machine from rolling. 
- 2 Be sure the winch line is properly secured to the drive chassis tie points and the path is clear of all obstructions.
- 3 Push in the black brake release knob to open the brake valve. 
- 4 Pump the red brake release pump knob.

After the machine is loaded:

- 1 Chock the wheels to prevent the machine from rolling.
- 2 Pull out the red Emergency Stop button at both the ground and platform controls to the on position.
- 3 Press and hold the drive/steer function enable switch on the control handle. Move the control handle off center and immediately release it to reset the brakes.
- 4 Push the red Emergency stop button at both the ground and platform controls to the off position.

Towing the Genie GS-1530, GS-1532, GS-1930, GS-1932, GS-2032, GS-2632, GS-3232, GS-2046, GS-2646, GS-3246 and GS-4047 is not recommended. If the machine must be towed, do not exceed 3.2 km/h.

## Transport and Lifting Instructions

### Securing to Truck or Trailer for Transit

Always use the extension deck lock when the machine is transported.

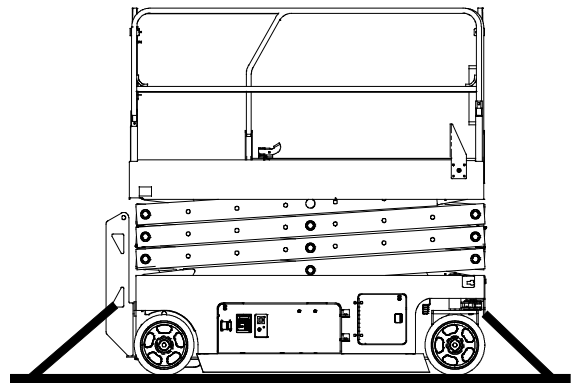
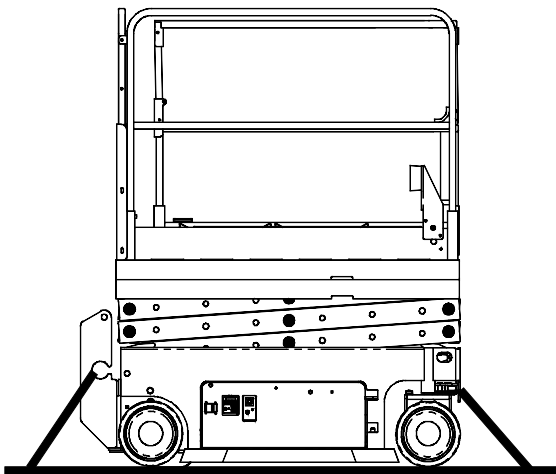
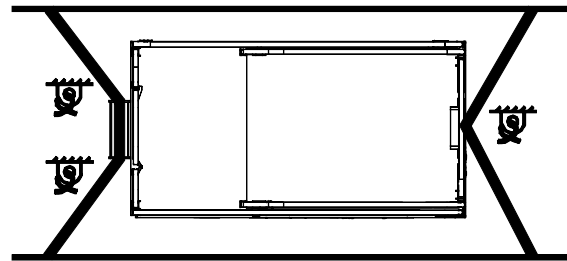
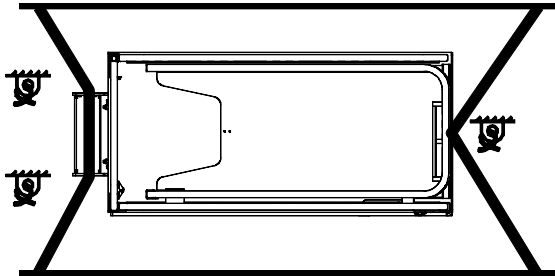
Turn the key switch to the off position and remove the key before transporting.

Inspect the entire machine for loose or unsecured items.

Use chains or straps of ample load capacity.

Use a minimum of 2 chains or straps.

Adjust the rigging to prevent damage to the chains.



**GS-1530 GS-1930**  
**GS-1532 GS-1932**

**GS-2032 GS-2046**  
**GS-2632 GS-2646**  
**GS-3232 GS-3246**  
**GS-4047**

## Transport and Lifting Instructions



### Observe and Obey:

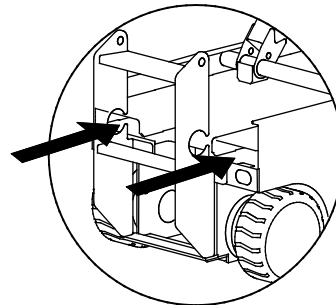
- ☑ Only qualified riggers should rig and lift the machine.
- ☑ Only qualified forklift operators should lift the machine with a forklift.
- ☑ Be sure the crane capacity, loading surfaces and straps or lines are sufficient to withstand the machine weight. See the serial label for the machine weight.

### Lifting the Machine with a Forklift

Be sure the extension deck, controls and component trays are secure. Remove all loose items on the machine.

Fully lower the platform. The platform must remain lowered during all loading and transport procedures.

Use the forklift pockets located on both sides of the ladder.



Position the forklift forks in position with the forklift pockets.

Drive forward to the full extent of the forks.

Raise the machine 0.4 m and then tilt the forks back slightly to keep the machine secure.

Be sure the machine is level when lowering the forks.

#### **NOTICE**

Lifting the machine from the side can result in component damage.

## Transport and Lifting Instructions

### Lifting Instructions

Fully lower the platform. Be sure the extension deck, controls and component trays are secure. Remove all loose items on the machine.

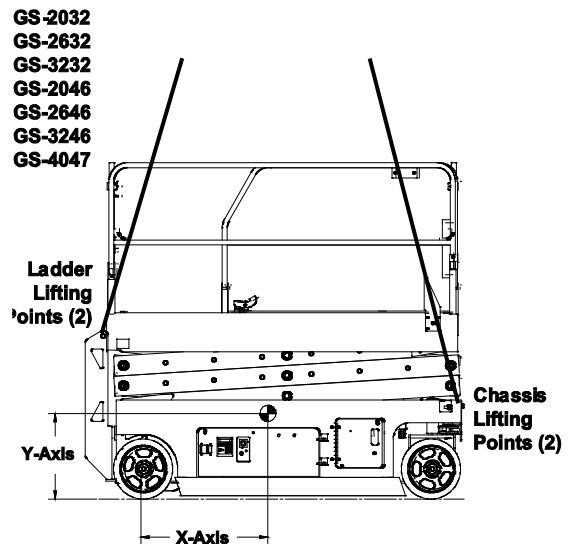
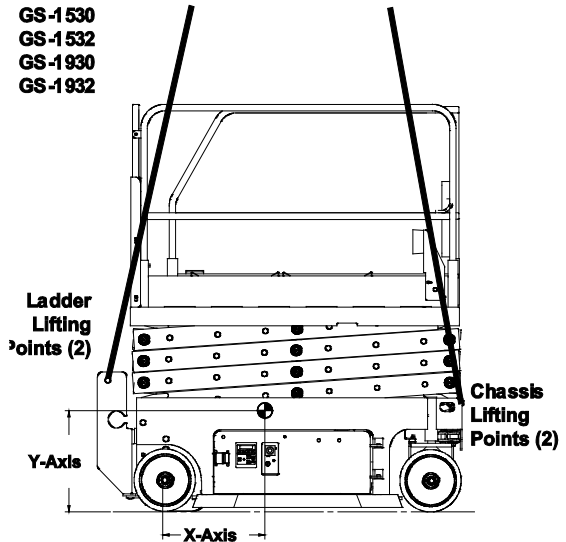
Determine the center of gravity of your machine using the table and the picture on this page.

Attach the rigging only to the designated lifting points on the machine. There are two 2.5 cm holes on the front of the machine and two holes in the ladder for lifting.

Adjust the rigging to prevent damage to the machine and to keep the machine level.

#### Center of Gravity Table

| Model   | X Axis  | Y Axis  |
|---------|---------|---------|
| GS-1530 | 49.8 cm | 47.2 cm |
| GS-1532 | 49.8 cm | 47.2 cm |
| GS-1930 | 50.8 cm | 49.5 cm |
| GS-1932 | 50.8 cm | 49.5 cm |
| GS-2032 | 80.9 cm | 53.9 cm |
| GS-2632 | 82.2 cm | 59.3 cm |
| GS-3232 | 78.7 cm | 67.3 cm |
| GS-2046 | 82.7 cm | 56.8 cm |
| GS-2646 | 88.2 cm | 56.4 cm |
| GS-3246 | 83.7 cm | 59.9 cm |
| GS-4047 | 85.8 cm | 51.5 cm |





## Maintenance



### Observe and Obey:

- ☑ Only routine maintenance items specified in this manual shall be performed by the operator.
- ☑ Scheduled maintenance inspections shall be completed by qualified service technicians, according to the manufacturer's specifications and the requirements specified in the responsibilities manual.
- ☑ Use only Genie approved replacement parts.

### Maintenance Symbols Legend

The following symbols have been used in this manual to help communicate the intent of the instructions. When one or more of the symbols appear at the beginning of a maintenance procedure, it conveys the meaning below.



Indicates that tools will be required to perform this procedure.



Indicates that new parts will be required to perform this procedure.

### Check the Hydraulic Oil Level



Maintaining the hydraulic oil at the proper level is essential to machine operation. Improper hydraulic oil levels can damage hydraulic components. Daily checks allow the inspector to identify changes in oil level that might indicate the presence of hydraulic system problems.

- 1 Be sure that the machine is on a firm, level surface, free of obstructions, with the platform in the stowed position.
- 2 Visually inspect the oil level in the hydraulic oil tank.
- ⊙ Result: The hydraulic oil level should be between the ADD and FULL marks on the tank.
- 3 Add oil as needed. Do not overfill.

---

#### Hydraulic oil specifications

---

|                    |                             |
|--------------------|-----------------------------|
| Hydraulic oil type | Chevron Rando HD equivalent |
|--------------------|-----------------------------|

---



## Maintenance

### Check the Batteries



Proper battery condition is essential to good machine performance and operational safety. Improper fluid levels or damaged cables and connections can result in component damage and hazardous conditions.

Note: This procedure does not need to be performed on machines with sealed or maintenance-free batteries.

- ⚠ Electrocutation hazard. Contact with hot or live circuits may result in death or serious injury. Remove all rings, watches and other jewelry.
- ⚠ Bodily injury hazard. Batteries contain acid. Avoid spilling or contacting battery acid. Neutralize battery acid spills with baking soda and water.

Note: Perform this test after fully charging the batteries.

- 1 Put on protective clothing and eye wear.
- 2 Be sure that the battery cable connections are tight and free of corrosion.
- 3 Be sure that the battery hold-down brackets are in place and secure.

Note: Adding terminal protectors and a corrosion preventative sealant will help eliminate the corrosion on the battery terminals and cables.

### Scheduled Maintenance

Maintenance performed quarterly, annually and every two years must be completed by a person trained and qualified to perform maintenance on this machine according to the procedures found in the service manual for this machine.

Machines that have been out of service for more than three months must receive the quarterly inspection before they are put back into service.



## Specifications

| Model  | GS-1530 and GS-1532   |
|--|-----------------------|
| Height, working maximum  | 6.4 m                 |
| Height, platform maximum   | 4.6 m                 |
| Height, stowed maximum   | 206 cm                |
| Height, stowed maximum rails folded  | 172 cm                |
| Platform height, stowed maximum  | 97 cm                 |
| Height, guard rails  | 109 cm                |
| Width  |                       |
| GS-1530  | 76 cm                 |
| GS-1532  | 81 cm                 |
| Length, stowed   | 183 cm                |
| Length, platform extended  | 272 cm                |
| Platform extension length  | 89 cm                 |
| Platform dimensions, (length x width)  | 164 x 75 cm           |
| Maximum load capacity  | 272 kg                |
| Maximum wind speed   |                       |
| GS-1530  | 0 m/s                 |
| GS-1532  | 12.5 m/s              |
| Wheelbase  | 132 cm                |
| Turning radius (outside)   | 155 cm                |
| Turning radius (inside)  | 0 cm                  |
| Ground clearance   | 6.1 cm                |
| Ground clearance Pothole guards deployed   | 1.9 cm                |
| Weight   |                       |
| GS-1530  | 1257 kg               |
| GS-1532  | 1269 kg               |
| (Machine weights vary with option configurations. See serial label for specific machine weight.) |                       |
| Power source   | 4 Batteries, 6V 225AH |
| System voltage   | 24V                   |
| Drive control  | Proportional          |
| Lift control   | 2 Speed               |
| AC outlet in platform  | standard              |
| Maximum hydraulic pressure (functions)   | 241 bar               |
| Tire size  | 12 x 4.5 x 8 in       |
| Vibration value does not exceed 2.5 m/s <sup>2</sup>   |                       |

### Operating temperature

|         |       |
|---------|-------|
| Minimum | -29°C |
| Maximum | 66°C  |

### Airborne noise emissions

|  |         |
|--|---------|
| Sound pressure level at ground workstation   | <70 dBA |
| Sound pressure level at platform workstation | <70 dBA |

|  |           |
|--|-----------|
| <b>Maximum slope rating, stowed position</b> | 30% (17°) |
|--|-----------|

|   |           |
|---|-----------|
| <b>Maximum side slope rating, stowed position</b> | 30% (17°) |
|---|-----------|

Note: Slope rating is subject to ground conditions and adequate traction.

### Drive speeds

|                          |                           |
|--------------------------|---------------------------|
| Stowed, maximum          | 4.0 km/h                  |
| Platform raised, maximum | 0.8 km/h<br>12.5 m/55 sec |

### Floor loading information, GS-1530

|                         |                                       |
|-------------------------|---------------------------------------|
| Tire load maximum       | 546 kg                                |
| Tire contact pressure   | 9.40 kg / cm <sup>2</sup><br>921 kPa  |
| Occupied floor pressure | 1216 kg / m <sup>2</sup><br>11.92 kPa |

### Floor loading information, GS-1532

|                         |                                      |
|-------------------------|--------------------------------------|
| Tire load maximum       | 547 kg                               |
| Tire contact pressure   | 9.43 kg / cm <sup>2</sup><br>924 kPa |
| Occupied floor pressure | 1142 kg / m <sup>2</sup><br>11.2 kPa |

Note: Floor loading information is approximate and does not incorporate different option configurations. It should be used only with adequate safety factors.

Continuous improvement of our products is a Genie policy. Product specifications are subject to change without notice or obligation.



## Specifications

| Model  | GS-1930 and GS-1932   |
|--|-----------------------|
| Height, working maximum  | 7.6 m                 |
| Height, platform maximum   | 5.8 m                 |
| Height, stowed maximum   | 210 cm                |
| Height, stowed maximum rails folded  | 175 cm                |
| Platform height, stowed maximum  | 100 cm                |
| Height, guard rails  | 109 cm                |
| Width  |                       |
| GS-1930  | 76 cm                 |
| GS-1932  | 81 cm                 |
| Length, stowed   | 183 cm                |
| Length, platform extended  | 272 cm                |
| Platform extension length  | 89 cm                 |
| Platform dimensions, (length x width)  | 164 x 75 cm           |
| Maximum load capacity  | 227 kg                |
| Maximum wind speed   |                       |
| GS-1930  | 0 m/s                 |
| GS-1932  | 12.5 m/s              |
| Wheelbase  | 132 cm                |
| Turning radius (outside)   | 155 cm                |
| Turning radius (inside)  | 0 cm                  |
| Ground clearance   | 6.1 cm                |
| Ground clearance Pothole guards deployed   | 1.9 cm                |
| Weight   |                       |
| GS-1930  | 1476 kg               |
| GS-1932  | 1503 kg               |
| (Machine weights vary with option configurations. See serial label for specific machine weight.) |                       |
| Power source   | 4 Batteries, 6V 225AH |
| System voltage   | 24V                   |
| Drive control  | Proportional          |
| Lift control   | 2 Speed               |
| AC outlet in platform  | standard              |
| Maximum hydraulic pressure (functions)   | 241 bar               |
| Tire size  | 12 x 4.5 x 8 in       |
| Vibration value does not exceed 2.5 m/s <sup>2</sup>   |                       |

### Operating temperature

|         |       |
|---------|-------|
| Minimum | -29°C |
| Maximum | 66°C  |

### Airborne noise emissions

|  |         |
|--|---------|
| Sound pressure level at ground workstation   | <70 dBA |
| Sound pressure level at platform workstation | <70 dBA |

**Maximum slope rating, stowed position** 25% (14°)

**Maximum side slope rating, stowed position** 25% (14°)

Note: Slope rating is subject to ground conditions and adequate traction.

### Drive speeds

|                          |                           |
|--------------------------|---------------------------|
| Stowed, maximum          | 4.0 km/h                  |
| Platform raised, maximum | 0.8 km/h<br>12.5 m/55 sec |

### Floor loading information, GS-1930

|                         |  |
|-------------------------|--|
| Tire load maximum       | 600 kg                                 |
| Tire contact pressure   | 10.35 kg / cm <sup>2</sup><br>1014 kPa |
| Occupied floor pressure | 1391 kg / m <sup>2</sup><br>13.65 kPa  |

### Floor loading information, GS-1932

|                         |  |
|-------------------------|--|
| Tire load maximum       | 600 kg                                 |
| Tire contact pressure   | 10.35 kg / cm <sup>2</sup><br>1014 kPa |
| Occupied floor pressure | 1313 kg / m <sup>2</sup><br>12.88 kPa  |

Note: Floor loading information is approximate and does not incorporate different option configurations. It should be used only with adequate safety factors.

Continuous improvement of our products is a Genie policy. Product specifications are subject to change without notice or obligation.



## Specifications

|  |                       |
|--|-----------------------|
| <b>Model</b>   | <b>GS-2032</b>        |
| Height, working maximum  | 7.9 m                 |
| Height, platform maximum   | 6.1 m                 |
| Height, stowed maximum   | 212 cm                |
| Height, stowed maximum rails folded  | 178 cm                |
| Platform height, stowed maximum  | 103 cm                |
| Height, guard rails  | 109 cm                |
| Width  | 81 cm                 |
| Length, stowed   | 244 cm                |
| Length, platform extended  | 333 cm                |
| Platform extension length  | 89 cm                 |
| Platform dimensions, (length x width)  | 226 x 81 cm           |
| Maximum load capacity  | 363 kg                |
| Maximum wind speed   |                       |
| Indoor   | 0 m/s                 |
| Outdoor  | 12.5 m/s              |
| Wheelbase  | 185 cm                |
| Turning radius (outside)   | 212 cm                |
| Turning radius (inside)  | 0 cm                  |
| Ground clearance   | 8.9 cm                |
| Ground clearance Pothole guards deployed   | 2.2 cm                |
| Weight   | 1830 kg               |
| (Machine weights vary with option configurations. See serial label for specific machine weight.) |                       |
| Power source   | 4 Batteries, 6V 225AH |
| System voltage   | 24V                   |
| Drive control  | Proportional          |
| Lift control   | 2 Speed               |
| AC outlet in platform  | Standard              |
| Maximum hydraulic pressure (functions)   | 241 bar               |
| Tire size  | 15 x 5 x 11.25 in     |
| Vibration value does not exceed 2.5 m/s <sup>2</sup>   |                       |

### Operating temperature

|         |       |
|---------|-------|
| Minimum | -29°C |
| Maximum | 66°C  |

### Airborne noise emissions

|  |         |
|--|---------|
| Sound pressure level at ground workstation   | <70 dBA |
| Sound pressure level at platform workstation | <70 dBA |

**Maximum slope rating, stowed position** 30% (17°)

**Maximum side slope rating, stowed position** 30% (17°)

Note: Slope rating is subject to ground conditions and adequate traction.

### Drive speeds

|                          |                           |
|--------------------------|---------------------------|
| Stowed, maximum          | 3.5 km/h                  |
| Platform raised, maximum | 0.8 km/h<br>12.2 m/54 sec |

### Floor loading information, GS-2032

|                         |                                       |
|-------------------------|---------------------------------------|
| Tire load maximum       | 771 kg                                |
| Tire contact pressure   | 7.97 kg / cm <sup>2</sup><br>781 kPa  |
| Occupied floor pressure | 1207 kg / m <sup>2</sup><br>11.84 kPa |

Note: Floor loading information is approximate and does not incorporate different option configurations. It should be used only with adequate safety factors.

Continuous improvement of our products is a Genie policy. Product specifications are subject to change without notice or obligation.



## Specifications

|  |                       |
|--|-----------------------|
| <b>Model</b>   | <b>GS-2632</b>        |
| Height, working maximum  | 9.8 m                 |
| Height, platform maximum   | 7.9 m                 |
| Height, stowed maximum   | 225 cm                |
| Height, stowed maximum rails folded  | 191 cm                |
| Platform height, stowed maximum  | 116 cm                |
| Height, guard rails  | 109 cm                |
| Width  | 81 cm                 |
| Length, stowed   | 244 cm                |
| Length, platform extended  | 333 cm                |
| Platform extension length  | 89 cm                 |
| Platform dimensions, (length x width)  | 226 x 81 cm           |
| Maximum load capacity  | 227 kg                |
| Maximum wind speed   | 0 m/s                 |
| Wheelbase  | 185 cm                |
| Turning radius (outside)   | 212 cm                |
| Turning radius (inside)  | 0 cm                  |
| Ground clearance   | 8.9 cm                |
| Ground clearance Pothole guards deployed   | 2.2 cm                |
| Weight   | 1959 kg               |
| (Machine weights vary with option configurations. See serial label for specific machine weight.) |                       |
| Power source   | 4 Batteries, 6V 225AH |
| System voltage   | 24V                   |
| Drive control  | Proportional          |
| Lift control   | 2 Speed               |
| AC outlet in platform  | Standard              |
| Maximum hydraulic pressure (functions)   | 241 bar               |
| Tire size  | 15 x 5 x 11.25 in     |
| Vibration value does not exceed 2.5 m/s <sup>2</sup>   |                       |

### Operating temperature

|         |       |
|---------|-------|
| Minimum | -29°C |
| Maximum | 66°C  |

### Airborne noise emissions

|  |         |
|--|---------|
| Sound pressure level at ground workstation   | <70 dBA |
| Sound pressure level at platform workstation | <70 dBA |

**Maximum slope rating, stowed position** 25% (14°)

**Maximum side slope rating, stowed position** 25% (14°)

Note: Slope rating is subject to ground conditions and adequate traction.

### Drive speeds

|                          |                           |
|--------------------------|---------------------------|
| Stowed, maximum          | 3.5 km/h                  |
| Platform raised, maximum | 0.8 km/h<br>12.2 m/54 sec |

### Floor loading information, GS-2632

|                         |                                       |
|-------------------------|---------------------------------------|
| Tire load maximum       | 830 kg                                |
| Tire contact pressure   | 8.58 kg / cm <sup>2</sup><br>841 kPa  |
| Occupied floor pressure | 1203 kg / m <sup>2</sup><br>11.80 kPa |

Note: Floor loading information is approximate and does not incorporate different option configurations. It should be used only with adequate safety factors.

Continuous improvement of our products is a Genie policy. Product specifications are subject to change without notice or obligation.



## Specifications

| <b>Model</b>  | <b>GS-3232</b>        |
|---|-----------------------|
| Height, working maximum   | 11.6 m                |
| Height, working drivable  | 8.5 m                 |
| Height, platform maximum  | 9.8 m                 |
| Height, platform drivable   | 6.7 m                 |
| Height, stowed maximum  | 238 cm                |
| Height, stowed maximum rails folded   | 204 cm                |
| Platform height, stowed maximum   | 129 cm                |
| Height, guard rails   | 109 cm                |
| Width   | 81 cm                 |
| Length, stowed  | 244 cm                |
| Length, platform extended   | 333 cm                |
| Platform extension length   | 89 cm                 |
| Platform dimensions, (length x width)   | 226 x 81 cm           |
| Maximum load capacity   | 227 kg                |
| Maximum wind speed  | 0 m/s                 |
| Wheelbase   | 185 cm                |
| Turning radius (outside)  | 212 cm                |
| Turning radius (inside)   | 0 cm                  |
| Ground clearance  | 8.9 cm                |
| Ground clearance<br>Pothole guards deployed   | 2.2 cm                |
| Weight  | 2352 kg               |
| (Machine weights vary with option configurations.<br>See serial label for specific machine weight.) |                       |
| Power source  | 4 Batteries, 6V 225AH |
| System voltage  | 24V                   |
| Drive control   | Proportional          |
| Lift control  | 2 Speed               |
| AC outlet in platform   | Standard              |
| Maximum hydraulic pressure<br>(functions)   | 241 bar               |
| Tire size   | 15 x 5 x 11.25 in     |
| Vibration value does not exceed 2.5 m/s <sup>2</sup>  |                       |

### Operating temperature

|         |       |
|---------|-------|
| Minimum | -29°C |
| Maximum | 66°C  |

### Airborne noise emissions

|  |         |
|--|---------|
| Sound pressure level at ground workstation   | <70 dBA |
| Sound pressure level at platform workstation | <70 dBA |

**Maximum slope rating, stowed position** 25% (14°)

**Maximum side slope rating, stowed position** 25% (14°)

Note: Slope rating is subject to ground conditions and adequate traction.

### Drive speeds

|                          |                           |
|--------------------------|---------------------------|
| Stowed, maximum          | 3.5 km/h                  |
| Platform raised, maximum | 0.8 km/h<br>12.2 m/54 sec |

### Floor loading information, GS-3232

|                         |                                       |
|-------------------------|---------------------------------------|
| Tire load maximum       | 771 kg                                |
| Tire contact pressure   | 7.98 kg / cm <sup>2</sup><br>781 kPa  |
| Occupied floor pressure | 1420 kg / m <sup>2</sup><br>13.92 kPa |

Note: Floor loading information is approximate and does not incorporate different option configurations. It should be used only with adequate safety factors.

Continuous improvement of our products is a Genie policy. Product specifications are subject to change without notice or obligation.



## Specifications

| <b>Model</b>   | <b>GS-2046</b>        |
|--|-----------------------|
| Height, working maximum  | 7.9 m                 |
| Height, platform maximum   | 6.1 m                 |
| Height, stowed maximum   | 213 cm                |
| Height, stowed maximum rails folded  | 156 cm                |
| Platform height, stowed maximum  | 104 cm                |
| Height, guard rails  | 109 cm                |
| Width  | 116 cm                |
| Length, stowed   | 244 cm                |
| Length, platform extended  | 333 cm                |
| Platform extension length  | 89 cm                 |
| Platform dimensions, (length x width)  | 226 x 116 cm          |
| Maximum load capacity  | 544 kg                |
| Maximum wind speed   |                       |
| Indoor   | 0 m/s                 |
| Outdoor  | 12.5 m/s              |
| Wheelbase  | 185 cm                |
| Turning radius (outside)   | 229 cm                |
| Turning radius (inside)  | 0 cm                  |
| Ground clearance   | 10.2 cm               |
| Ground clearance Pothole guards deployed   | 1.9 cm                |
| Weight   | 1945 kg               |
| (Machine weights vary with option configurations. See serial label for specific machine weight.) |                       |
| Power source   | 4 Batteries, 6V 225AH |
| System voltage   | 24V                   |
| Lift control   | Proportional          |
| Drive control  | 2 Speed               |
| AC outlet in platform  | Standard              |
| Maximum hydraulic pressure (functions)   | 241 bar               |
| Tire size  | 15 x 5 x 11.25 in     |
| Vibration value does not exceed 2.5 m/s <sup>2</sup>   |                       |

### Operating temperature

|         |       |
|---------|-------|
| Minimum | -29°C |
| Maximum | 66°C  |

### Airborne noise emissions

|  |         |
|--|---------|
| Sound pressure level at ground workstation   | <70 dBA |
| Sound pressure level at platform workstation | <70 dBA |

**Maximum slope rating, stowed position** 30% (17°)

**Maximum side slope rating, stowed position** 30% (17°)

Note: Slope rating is subject to ground conditions and adequate traction.

### Drive speeds

|                          |                           |
|--------------------------|---------------------------|
| Stowed, maximum          | 3.5 km/h                  |
| Platform raised, maximum | 0.8 km/h<br>12.2 m/54 sec |

### Floor loading information, GS-2046

|                         |                                      |
|-------------------------|--------------------------------------|
| Tire load maximum       | 964 kg                               |
| Tire contact pressure   | 9.97 kg / cm <sup>2</sup><br>977 kPa |
| Occupied floor pressure | 953 kg / m <sup>2</sup><br>9.35 kPa  |

Note: Floor loading information is approximate and does not incorporate different option configurations. It should be used only with adequate safety factors.

Continuous improvement of our products is a Genie policy. Product specifications are subject to change without notice or obligation.





## Specifications

|   |                       |
|---|-----------------------|
| <b>Model</b>  | <b>GS-2646</b>        |
| Height, working maximum   | 9.8 m                 |
| Height, platform maximum  | 7.9 m                 |
| Height, stowed maximum  | 225 cm                |
| Height, stowed maximum rails folded   | 168 cm                |
| Platform height, stowed maximum   | 116 cm                |
| Height, guard rails   | 109 cm                |
| Width   | 116 cm                |
| Length, stowed  | 244 cm                |
| Length, platform extended   | 333 cm                |
| Platform extension length   | 89 cm                 |
| Platform dimensions, (length x width)   | 226 x 116 cm          |
| Maximum load capacity   | 454 kg                |
| Maximum wind speed  |                       |
| Indoor  | 0 m/s                 |
| Outdoor   | 12.5 m/s              |
| Wheelbase   | 185 cm                |
| Turning radius (outside)  | 229 cm                |
| Turning radius (inside)   | 0 cm                  |
| Ground clearance  | 10.2 cm               |
| Ground clearance<br>Pothole guards deployed   | 1.9 cm                |
| Weight  | 2412 kg               |
| (Machine weights vary with option configurations.<br>See serial label for specific machine weight.) |                       |
| Power source  | 4 Batteries, 6V 225AH |
| System voltage  | 24V                   |
| Drive control   | Proportional          |
| Lift control  | 2 Speed               |
| AC outlet in platform   | Standard              |
| Maximum hydraulic pressure<br>(functions)   | 241 bar               |
| Tire size   | 15 x 5 x 11.25 in     |
| Vibration value does not exceed 2.5 m/s <sup>2</sup>  |                       |

### Operating temperature

|         |       |
|---------|-------|
| Minimum | -29°C |
| Maximum | 66°C  |

### Airborne noise emissions

|  |         |
|--|---------|
| Sound pressure level at ground workstation   | <70 dBA |
| Sound pressure level at platform workstation | <70 dBA |

**Maximum slope rating, stowed position** 30% (17°)

**Maximum side slope rating, stowed position** 30% (17°)

Note: Slope rating is subject to ground conditions and adequate traction.

### Drive speeds

|                          |                           |
|--------------------------|---------------------------|
| Stowed, maximum          | 3.5 km/h                  |
| Platform raised, maximum | 0.8 km/h<br>12.2 m/54 sec |

### Floor loading information, GS-2646

|                         |  |
|-------------------------|--|
| Tire load maximum       | 1136 kg                                |
| Tire contact pressure   | 11.75 kg / cm <sup>2</sup><br>1152 kPa |
| Occupied floor pressure | 1097 kg / m <sup>2</sup><br>10.76 kPa  |

Note: Floor loading information is approximate and does not incorporate different option configurations. It should be used only with adequate safety factors.

Continuous improvement of our products is a Genie policy. Product specifications are subject to change without notice or obligation.



## Specifications

| <b>Model</b>   | <b>GS-3246</b>        |
|--|-----------------------|
| Height, working maximum  | 11.6 m                |
| Height, platform maximum   | 9.8 m                 |
| Height, stowed maximum   | 238 cm                |
| Height, stowed maximum rails folded  | 181 cm                |
| Platform height, stowed maximum  | 129 cm                |
| Height, guard rails  | 109 cm                |
| Width  | 116 cm                |
| Length, stowed   | 244 cm                |
| Length, platform extended  | 333 cm                |
| Platform extension length  | 89 cm                 |
| Platform dimensions, (length x width)  | 226 x 116 cm          |
| Maximum load capacity  | 318 kg                |
| Maximum wind speed   |                       |
| Indoor   | 0 m/s                 |
| Outdoor  | 12.5 m/s              |
| Wheelbase  | 185 cm                |
| Turning radius (outside)   | 229 cm                |
| Turning radius (inside)  | 0 cm                  |
| Ground clearance   | 10.2 cm               |
| Ground clearance Pothole guards deployed   | 1.9 cm                |
| Weight   | 2781 kg               |
| (Machine weights vary with option configurations. See serial label for specific machine weight.) |                       |
| Power source   | 4 Batteries, 6V 225AH |
| System voltage   | 24V                   |
| Drive control  | Proportional          |
| Lift control   | 2 Speed               |
| AC outlet in platform  | Standard              |
| Maximum hydraulic pressure (functions)   | 241 bar               |
| Tire size  | 15 x 5 x 11.25 in     |
| Vibration value does not exceed 2.5 m/s <sup>2</sup>   |                       |

### Operating temperature

|         |       |
|---------|-------|
| Minimum | -29°C |
| Maximum | 66°C  |

### Airborne noise emissions

|  |         |
|--|---------|
| Sound pressure level at ground workstation   | <70 dBA |
| Sound pressure level at platform workstation | <70 dBA |

**Maximum slope rating, stowed position** 25% (14°)

**Maximum side slope rating, stowed position** 25% (14°)

Note: Slope rating is subject to ground conditions and adequate traction.

### Drive speeds

|                          |               |
|--------------------------|---------------|
| Stowed, maximum          | 3.5 km/h      |
| Platform raised, maximum | 0.8 km/h      |
|                          | 12.2 m/54 sec |

### Floor loading information, GS-3246

|                         |  |
|-------------------------|--|
| Tire load maximum       | 1183 kg                                |
| Tire contact pressure   | 12.24 kg / cm <sup>2</sup><br>1199 kPa |
| Occupied floor pressure | 1186 kg / m <sup>2</sup><br>11.63 kPa  |

Note: Floor loading information is approximate and does not incorporate different option configurations. It should be used only with adequate safety factors.

Continuous improvement of our products is a Genie policy. Product specifications are subject to change without notice or obligation.



## Specifications

| <b>Model</b>   | <b>GS-4047</b>         |
|--|------------------------|
| Height, working maximum  | 13.7 m                 |
| Height, platform maximum   | 11.9 m                 |
| Height, stowed maximum   | 254 cm                 |
| Height, stowed maximum rails folded  | 195 cm                 |
| Platform height, stowed maximum  | 143 cm                 |
| Height, guard rails  | 109 cm                 |
| Width  | 119 cm                 |
| Length, stowed   | 248 cm                 |
| Length, platform extended  | 338 cm                 |
| Platform extension length  | 89 cm                  |
| Platform dimensions, (length x width)  | 226 x 116 cm           |
| Maximum load capacity  | 350 kg                 |
| Maximum wind speed   | 0 m/s                  |
| Wheelbase  | 185 cm                 |
| Turning radius (outside)   | 231 cm                 |
| Turning radius (inside)  | 0 cm                   |
| Ground clearance   | 10.2 cm                |
| Ground clearance Pothole guards deployed   | 1.9 cm                 |
| Weight   | 3221 kg                |
| (Machine weights vary with option configurations. See serial label for specific machine weight.) |                        |
| Power source   | 4 Batteries, 12V 150AH |
| System voltage   | 24V                    |
| Drive Control  | Proportional           |
| Lift control   | 2 Speed                |
| AC outlet in platform  | Standard               |
| Maximum hydraulic pressure (functions)   | 241 bar                |
| Tire size  | 15 x 5 x 11.25 in      |
| Vibration value does not exceed 2.5 m/s <sup>2</sup>   |                        |

### Operating temperature

|         |       |
|---------|-------|
| Minimum | -29°C |
| Maximum | 66°C  |

### Airborne noise emissions

|  |         |
|--|---------|
| Sound pressure level at ground workstation   | <70 dBA |
| Sound pressure level at platform workstation | <70 dBA |

**Maximum slope rating, stowed position** 25% (14°)

**Maximum side slope rating, stowed position** 25% (14°)

Note: Slope rating is subject to ground conditions and adequate traction.

### Drive speeds

|                          |                         |
|--------------------------|-------------------------|
| Stowed, maximum          | 3.2 km/h                |
| Platform raised, maximum | 0.8 km/h<br>12 m/71 sec |

### Floor loading information, GS-4047

|                         |  |
|-------------------------|--|
| Tire load maximum       | 1289 kg                                |
| Tire contact pressure   | 13.33 kg / cm <sup>2</sup><br>1306 kPa |
| Occupied floor pressure | 1338 kg / m <sup>2</sup><br>13.12 kPa  |

Note: Floor loading information is approximate and does not incorporate different option configurations. It should be used only with adequate safety factors.

Continuous improvement of our products is a Genie policy. Product specifications are subject to change without notice or obligation.



Distributed By: